

EMI/EMC FILTER

CA5 SERIES



FEATURES

- Suitable for the products that must conform to FCC, FTZ.
- Remarkable attenuation for high voltage impulse.
- Good shield effect by using metal case.
- Excellent filtering characteristics for both differential mode and common mode.
- Bidirectional structure effective for both noise from outside and internally generated.

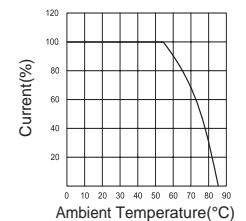
APPLICATIONS

- Digital equipments.
- Personal computers and peripherals.
- Measuring instruments, medical instruments.
- For use in miniature equipment.
- Suitable for FA equipments.

SPECIFICATIONS

Model	Rated Voltage (AC,DC)	Rated Current	Leakage Current (250V AC)	Temperature Rise	Operating Temperature
CA5-W22, V22	250V	1.5A	0.35mA max.	30°C max.	-25°C to + 85°C Including temperature rise ※ Fig.1
CA5-W23, V23			0.5mA max.		
CA5-W32, V32	250V	3A	0.35mA max.	30°C max.	
CA5-W33, V33			0.5mA max.		
CA5-W42, V42	250V	5A	0.35mA max.	30°C max.	
CA5-W43, V43			0.5mA max.		

Note : All types are designed to meet the requirement of UL 1283, CSA 22.2, IEC 60939
 Test Voltage : 1500V AC one minute, line to earth.
 Insulation Resistance : 300 Mohm min. at DC 500V.
 Voltage Drop : 1V max. at rated current.
 Weight : W2- : 87g, W3- : 90g, W4- : 93g.
 Discharge Time : 0.4sec max.



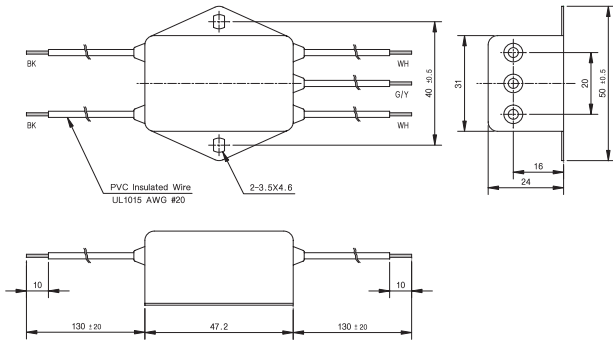
※ Fig.1

■ Model Number Construction

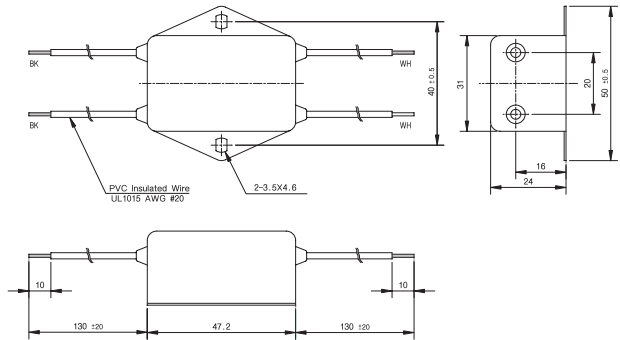
CA5	W	2	2
Series Description Screw Mounting/ Metal case	Input/Output Terminal style W : Without ground wire V : With ground wire	Current Rating:AC rms 2 : 1.5 amp 3 : 3.0 amp 4 : 5.0 amp	Line-Gnd. Cap. Value 2 : 2200 pF 3 : 3300 pF

Shapes and Dimensions

CA5-V **



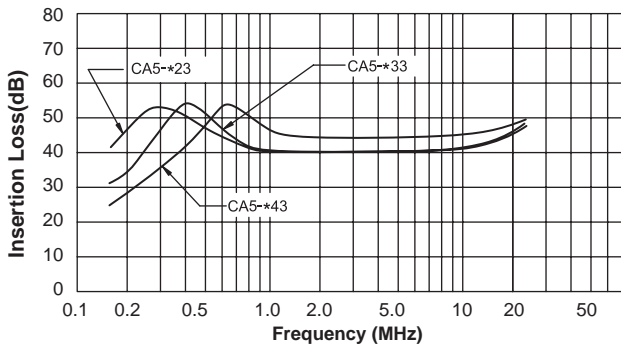
CA5-W **



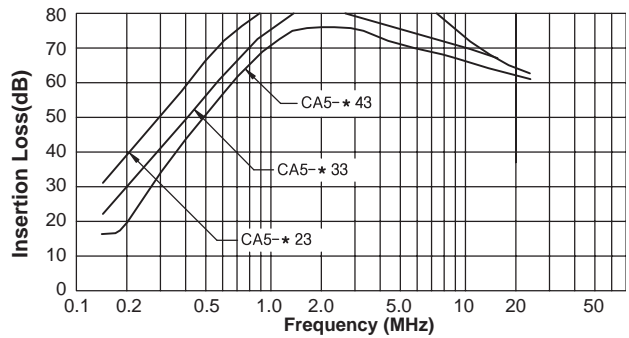
- * General tolerance : ± 1.0
- * Unit : mm
- * Metal Case
- * Special wire length can be ordered

Attenuation Characteristics

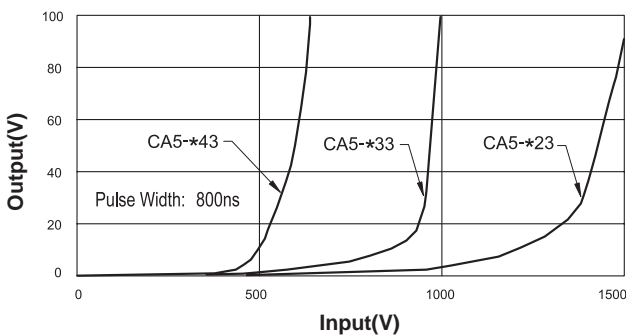
Common Mode



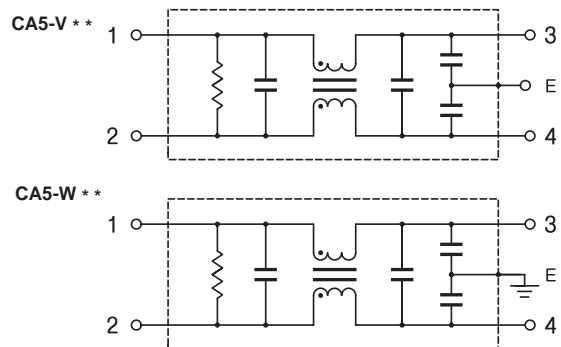
Differential Mode



Impulse Characteristics



Circuit Diagram



Measurement configuration

