

# EMI/EMC FILTER

## IG SERIES



### FEATURES

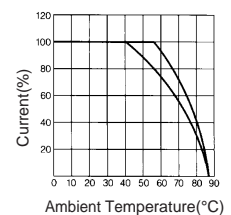
- Ideally suited for products that must conform to part 15, FCC regulations.
- Metal cased miniature type with high performance.
- Meet over voltage category II of IEC 60664 and comply with IEC 60950.
- Uses IEC connector that meets the safety standards of virtually all certifying organizations.
- PCB mounting type for small space and economical installation.
- Short length and under tab for small space.

### APPLICATIONS

- Digital equipments.
- Personal computers and peripherals.
- Measuring instruments.
- For use in miniature equipments.
- For monitors and display units.

## SPECIFICATIONS

Model	Rated Voltage (AC,DC)	Rated Current	Leakage Current (250V AC)	Temperature Rise	Operating Temperature
IG-(N)01***	250V	1A	-	30°C max.	-25°C to + 85°C Including temperature rise
IG-(N)02***	250V	2A	-	30°C max.	
IG-(N/L)03***	250V	3A	-	30°C max.	
IG-(N)06***	250V	6A	-	45°C max.	
IG-(N)08***	250V	8A	-	45°C max.	
IG-(N)L10***	250V	10A	-	45°C max.	
IG-(N/L)***0**	-	*	0.01mA max.	-	
IG-(N/L)***C**	-	*	0.075mA max.	-	
IG-(N/L)***D**	-	*	0.10mA max.	-	
IG-(N/L)***E**	-	*	0.20mA max.	-	
IG-(N/L)***1**	-	*	0.25mA max.	-	
IG-(N/L)***2**	-	*	0.35mA max.	-	
IG-(N/L)***3**	-	*	0.50mA max.	-	



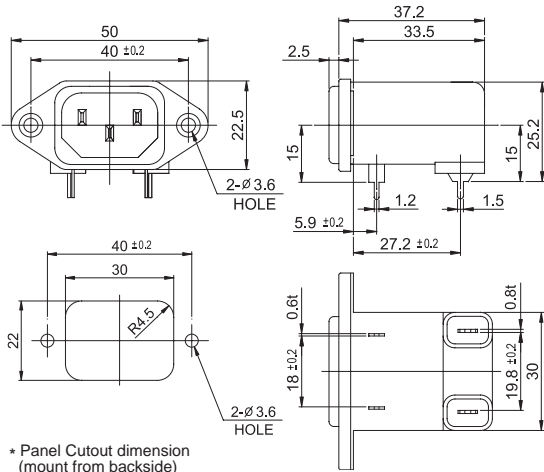
Note :  
 Test Voltage:1500V AC one minute, line to earth.  
 Insulation Resistance : 300 Mohm min. at 500V DC.  
 Voltage Drop : 1V max. at rated current.  
 Weight : 50g for IG-series.  
 Inlet : Compatible with IEC-60320

### Model Number Construction

I	G	03	4	2	S
Input Connector I : IEC Connector	Special Design G : Screw and PCB Mounting/Metal Case	Current Rating:AC rms 01,N01 : 1amp 02,N02 : 2amp 03,N03,L03 : 3amp 06,N06 : 6amp N08 : 8amp L10,N10 : 10amp ("L","N" high performance)	Line-Line Cap.Value 2 : 0.022 $\mu$ F 4 : 0.047 $\mu$ F A : 0.1 $\mu$ F B : 0.15 $\mu$ F	Line-Gnd Cap.Value 2 : 2200 pF 3 : 3300 pF C : 330 pF D : 470 pF E : 1000 pF 0 : None	Output Terminal Style P : PCB Pin S : Solder Lug H : Faston Tab #250

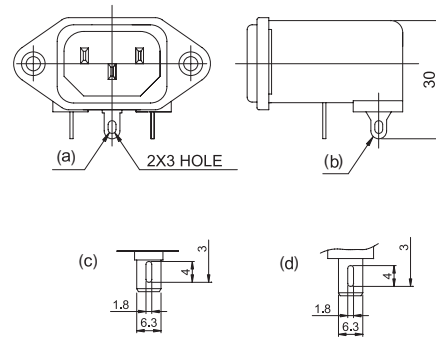
# Shapes and Dimensions

\* PCB mounting Type



\* Panel Cutout dimension (mount from backside)

\* Soldering Lug type



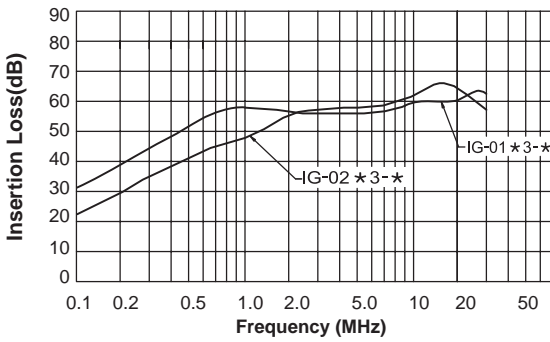
\* Faston tab type

\* Unit : mm

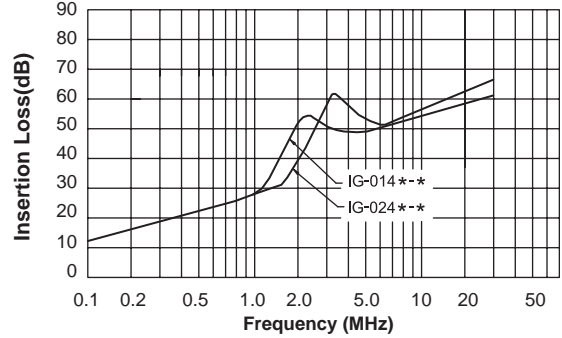
\* General tolerance : ±0.5

# Attenuation Characteristics

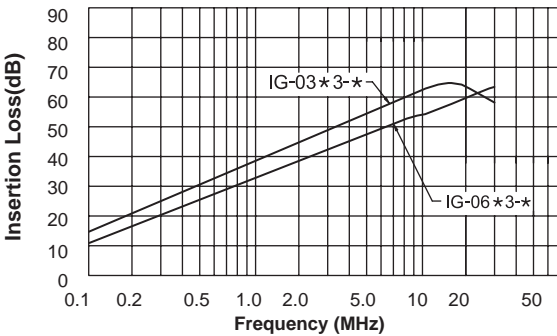
● Common Mode (IG-(N)01/02/03\*3-\*)



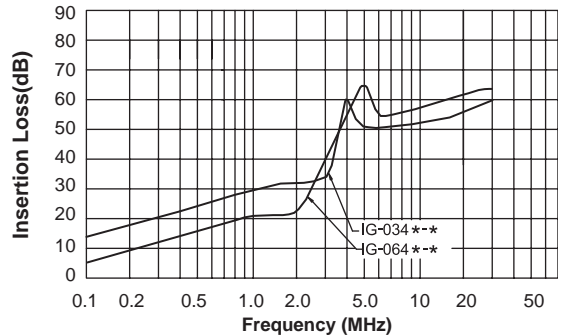
● Differential Mode (IG-(N)\*\*2/3/4\*\*\*)



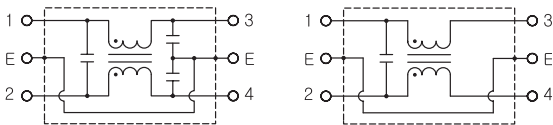
● Common Mode (IG-(N)06/08/10\*3-\*)



● Differential Mode (IG-(N)\*\*4\*\*\*)



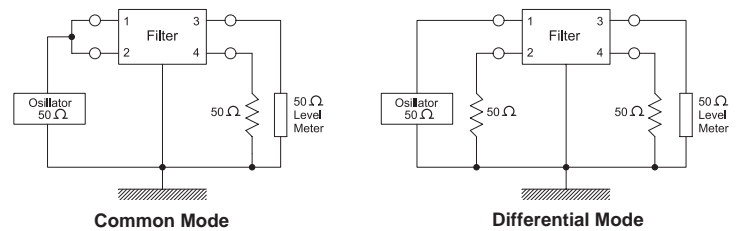
● Circuit Diagram



IG-\*\*\*\*\* type

IG-\*\*\*0-\* type

● Measurement configuration



Common Mode

Differential Mode