

**DISPLAYING FLASHER**  
( SUPER BRIGHT LEDs )  
CODE 141

**LEVEL 1**

This displaying flasher circuit is flasher circuit. The shape of display is outlined by circle which blinking continue. For practical application, such as : showing product, etc.

**Technical specifications:**

- power supply: 3VDC.
- consumption: 90mA max.
- indication : 7 LEDs (super bright).
- PCB dimensions : 1.18 x 1.73 inch.

**How to works:**

Multi-vibrator (TR1 and TR2) is configured as frequency generator. TR1 and TR2 will alternately one by one. If TR1 works, LEDs will light on. But if TR2 works, LEDs will light off. Speed of LEDs blinking is depending on VR1, R8, R9, C1 and C2. VR1 is used to adjust the speed of LEDs blinking. R1 to R7 are voltage drop for each LED.

**PCB assembly:**

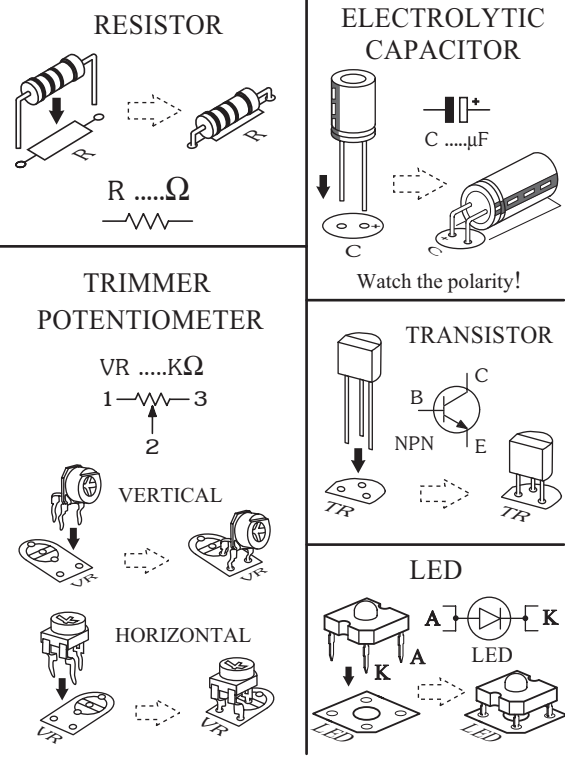
Shown in Figure 3 is the assembled PCB. Starting with the lowest height components first, taking care not to short any tracks or touch the edge connector with solder. Some tracks run under components, and care should be taken not to short out these tracks. All components with axial leads should be carefully bent to fit the position on the PCB and then soldered into place. Make sure that the electrolytic capacitors are inserted the correct way around. The LED has a flat spot on the body which lines up with the line on the overlay. Now check that you really did mount them all the right way round!

**Testing:**

Connect 3-volt battery to circuit. With the positive

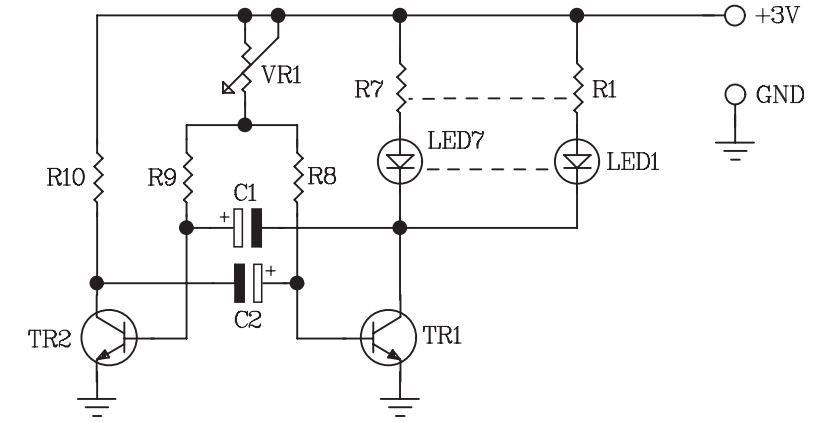
pole is connected to "+" point and the negative pole is connected to "-" point. All LEDs will display alternately light on. Adjusting variable resistance 10K, all LEDs will display according to adjusted speed.

**Figure 1. Installing the components**



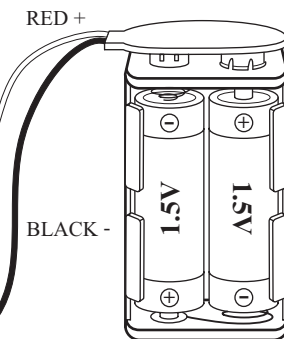
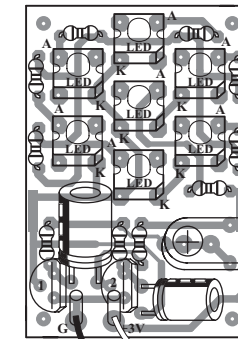
**Troubleshooting:**

The most problem like the fault soldering. Check all the soldering joint suspicious. If you discover the short track or the short soldering joint, re-solder at that point and check other the soldering joint. Check the position of all component on the PCB. See that there are no components missing or inserted in the wrong places. Make sure that all the polarised components have been soldered the right way round.



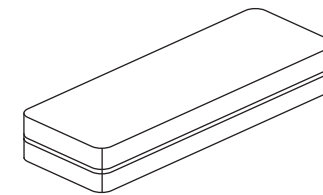
**Figure 2. Displaying flasher circuit**

**FT141-1**



**POWER SOURCE**  
1.5Vx2 SIDE AA

**Figure 3. Connections**



**NOTE:**

**FUTURE BOX FB02 is suitable for this kit.**

NEW KIT SET

CODE FK	DESCRIPTION	POWER
271	LIGHT ACTIVATE ALARM (COCK VOICE) WITH SPEAKER	3VDC
272	SPACE GUN 3 TONE WITH SPEAKER	9VDC