

XENON TUBE FLASHER
CODE 164

LEVEL 2

Flashing light effects for discotheques, etc. Can be adjustable for flash frequency.

Technical specifications:

- power supply: 220-240VAC.
- adjustable speed of flash with potentiometer.
- There is the switch start for test the circuit.
- PCB dimensions : 1.98 x 2.79 inches.

How to works:

The AC line 220-volt is fed to R1 and D1, and charged to electrolytic capacitors C1 and C2. When the voltage at C2 is higher than 88-volt, at the anode of ZD1 will has the voltage. This voltage is fed to the gate of SCR1, SCR1 will works. The voltage of C2 is fed to the ground. The on/off action of SCR1, caused by the pulsating signal applied to it, creates a rising and collapsing field in the primary winding of T1. That causes a pulsating signal, of opposite polarity, to be induced in T1's secondary winding.

The pulsating DC output at the secondary winding of T1 is trigger to the xenon tube. The xenon tube will flashing. VR1 is used to adjust the flash frequency.

PCB assembly:

Shown in Figure 3 is the assembled PCB. Starting with the lowest height components first, taking care not to short any tracks or touch the edge connector with solder. Some tracks run under components, and care should be taken not to short out these tracks. If the pins will not enter the holes with ease, use a small drill to slightly enlarge the opening. All components with axial leads should be carefully bent to fit the position on the PCB and then soldered into place. Make sure that the electrolytic capacitors are inserted the correct way around. Some components are particularly sensitive to heat (ie: Transistors, IC's, diodes etc.) extra care must be taken to only apply the iron for as little time as possible, using a pair of pliers to grip the leads will help conduct heat away. Trim components leads with wire cutters to prevent excess lengths causing a short circuit. Now check that you really did mount them all the right way round!

Testing:

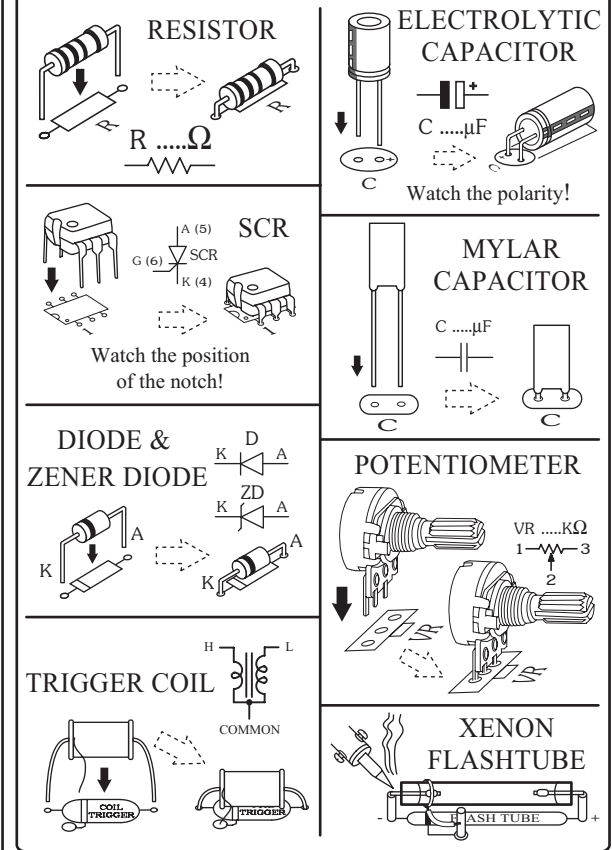
Adjust the VR1 max. clockwise. Connect the AC line 220-volt into "220V" point. The xenon tube will be

flashing. Decrease the VR1 slowly, the xenon tube will slow flashing. If adjustable the VR1 max. counter-clockwise, the xenon tube is flash off.

Application:

If you want increase to the light-flash. Can be adjusted by altering the value of capacitor C1 and altering the value of resistor. For ST point is used to connect the switch.

Figure 1. Installing the components



Troubleshooting:

The most problem like the fault soldering. Check all the soldering joint suspicious. If you discover the short track or the short soldering joint, re-solder at that point and check other the soldering joint. Check the position of all component on the PCB. See that there are no components missing or inserted in the wrong places. Make sure that all the polarised components have been soldered the right way round.

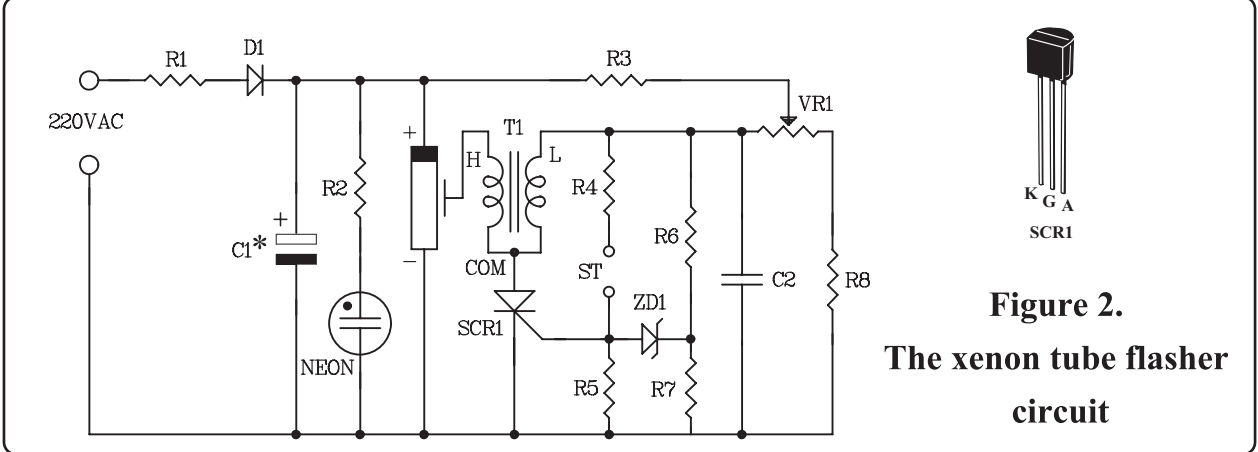


Figure 2.
The xenon tube flasher circuit

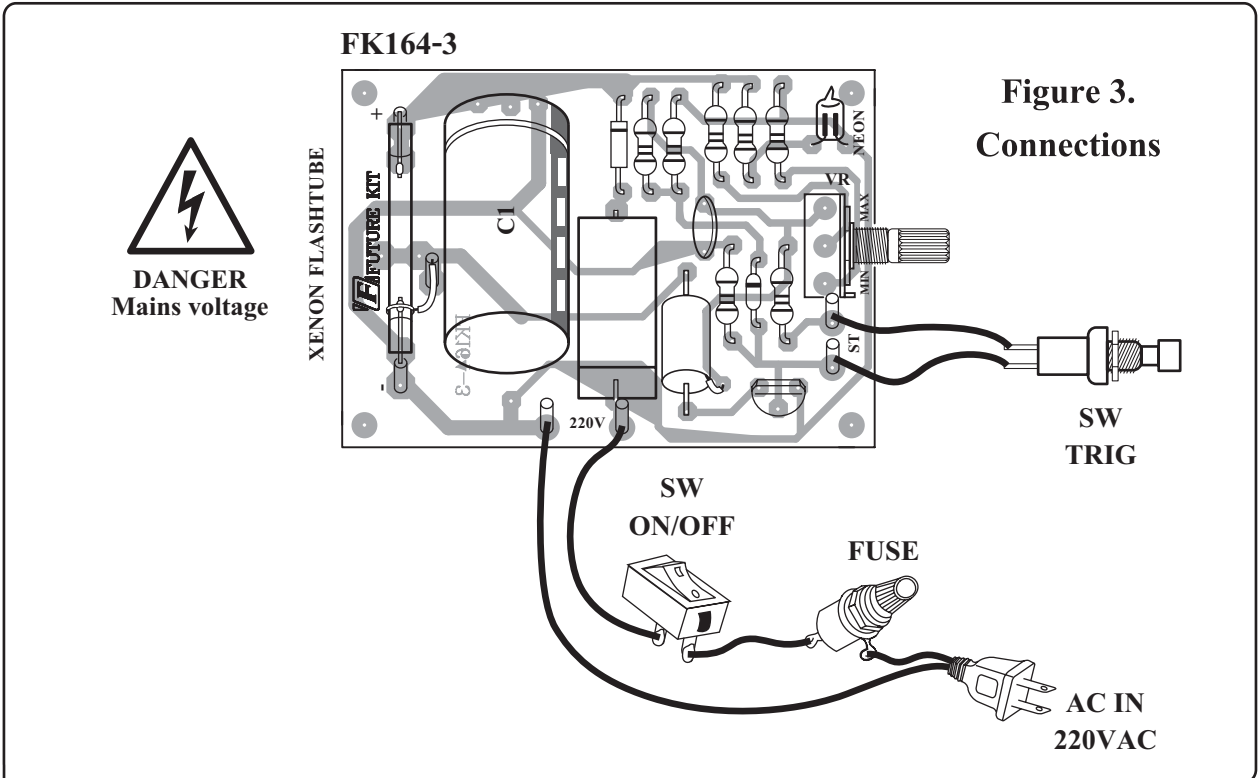
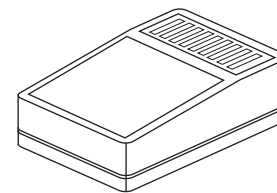


Figure 3.
Connections



NOTE:
FUTURE BOX FB23 is suitable for this kit.

NEW KIT SET

CODE FK	DESCRIPTION	POWER
170	DANGER FLASHER 42 LED	9-12VDC.
171	TWO LAMP FLASHER	3VDC.
172	THREE STEP FLASHER 19 LED	9-12VDC.
173	HALLOWEEN PUMPKIN FLASHER 23 LED	9-12VDC.
174	ANIMATED LED SIGNBOARD (5x7 DOT MATRIX)	3-5VDC.
327	DUAL STATION INTERCOM (TRANSISTOR)	4.5-6VDC.
512	DING/DONG DOOR CHIME (PIR SENSOR)	4.5-6VDC.
816	VARIABLE REGULATOR 0-50V. 3A.	50VDC.
817	TRANSFORMERLESS POWER SUPPLY 6-9-12V 50mA	220-240VAC.