



FUTURE KIT
HIGH QUALITY ELECTRONIC KITS

SUPER SIREN 10W
CODE 230

LEVEL 1

The super siren 10W is suitable for being used as warning device, alarm-systems, door bells etc.

Technical specifications:

- power supply: 12VDC.
- consumption: 200mA max.
- output power: 10W max.
- loudspeaker connection: 8 Ohm
- dimensions: 2.15 x 1.41 inches

How to works:

TR1 and TR2 are connected to oscillate low frequency generator. The frequency is depends on R1, R2, R3, C1 and C2. Frequency will be transferred through the emitter of TR2, TR4 to ground. C3 generator sound with low frequency. The emitter of TR2 will be connected through R7, R8 to high frequency generator, which composes of TR3, TR4, R5, R7, R8, R9, C4 and C5. The controlled high frequency is transferred through R6 to the base of TR5 which is transistor for further amplifying to loudspeaker.

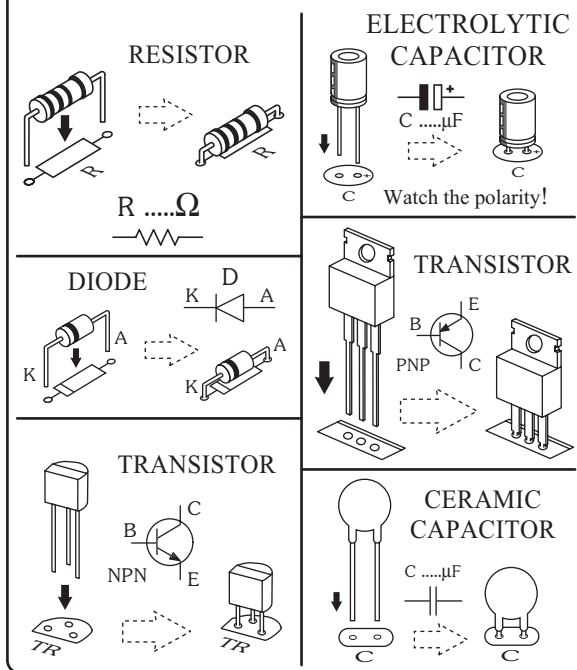
PCB assembly:

Shown in Figure 3 is the assembled PCB. Starting with the lowest height components first, taking care not to short any tracks or touch the edge connector with solder. Some tracks run under components, and care should be taken not to short out these tracks. All components with axial leads should be carefully bent to fit the position on the PCB and then soldered into place. Make sure that the electrolytic capacitors are inserted the correct way around. The LED has a flat spot on the body which lines up with the line on the overlay. Now check that you really did mount them all the right way round!

Testing:

This kit has an operating voltage range of 12 VDC. Apply power supply. You will hear the siren sound from a loudspeaker. It can be used adaptor 12VDC 800mA to power source.

Figure 1. Installing the components



Troubleshooting:

The most problem like the fault soldering. Check all the soldering joint suspicious. If you discover the short track or the short soldering joint, re-solder at that point and check other the soldering joint. Check the position of all component on the PCB. See that there are no components missing or inserted in the wrong places. Make sure that all the polarised components have been soldered the right way round.

Figure 2. The super siren 2 tone circuit

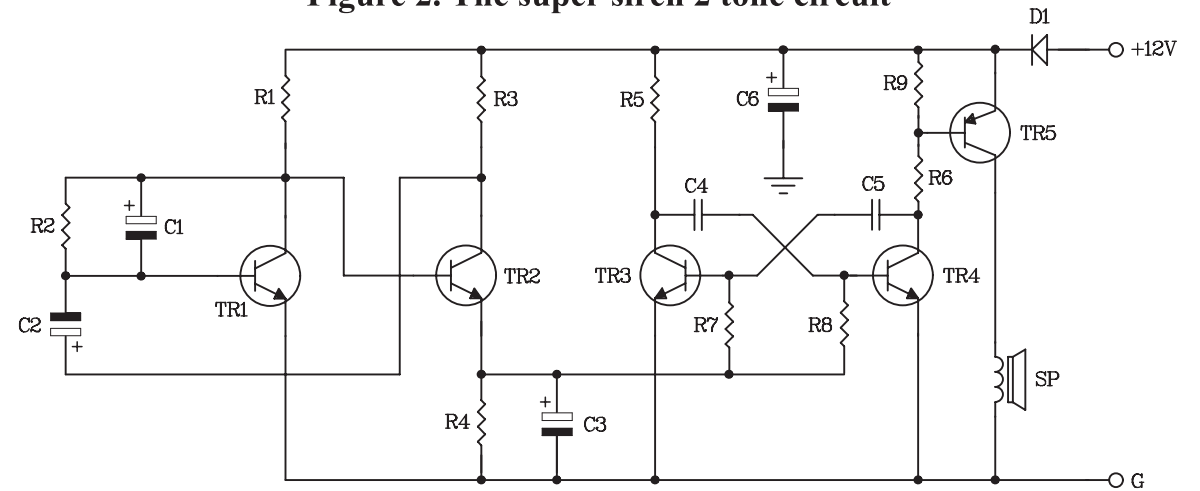
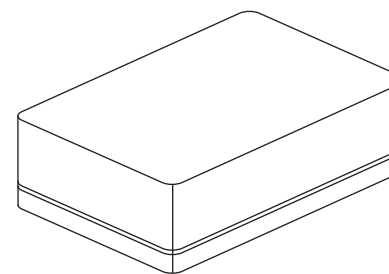
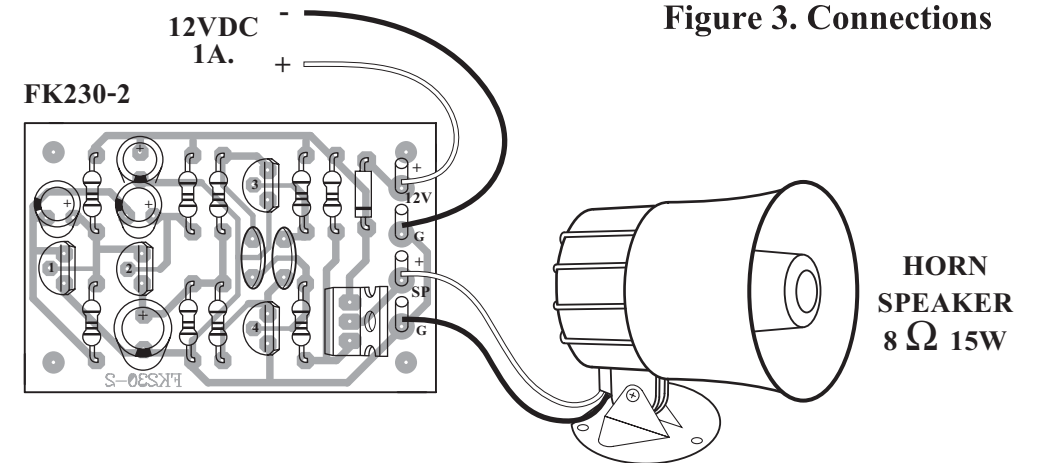


Figure 3. Connections



NOTE:

FUTURE BOX FB04 is suitable for this kit.

NEW KIT SET

| CODE FK | DESCRIPTION | POWER |
|---------|--|-------------------------|
| 167 | FIREFLY LIGHT (NIGHT ACTIVATE) | 3VDC. |
| 275 | THREE TRAIN SOUNDS (IC DIGITAL) | 3VDC. |
| 276 | OWL VOICE (IC DIGITAL) | 3VDC. |
| 326 | DUAL STATION INTERCOM&DOOR BELL (WITH 2 SPEAKER) | 6-12VDC. |
| 436 | UHF REMOTE CONTROL 1 CH. | TX. 9VDC. RX. 12VDC. |
| 673 | MINI POWER AMP 1+1W. STEREO | 3-12VDC. |