



FUTURE KIT
HIGH QUALITY ELECTRONIC KITS

POLICE SIREN
CODE 234

LEVEL 1

This police siren circuit is the tone generator circuit. It is applied for increase the volume of the siren. Ideal for model construction, toy, sound effect etc.

Technical specifications:

- power supply: 9 to 12VDC.
- consumption: 30 to 35 mA max.
- dimensions: 1.22 x 2.01 inches.

How to works:

TR1 and TR2 is configured as the low frequency generator circuit for control the high frequency generator (TR3 and TR4). C4 is delay time for the high frequency circuit. TR3 and TR4 is configured as the high frequency generator circuit which control by the low frequency generator. Both frequency is fed to the base of TR5 for amplify the frequency and drive to a small loudspeaker.

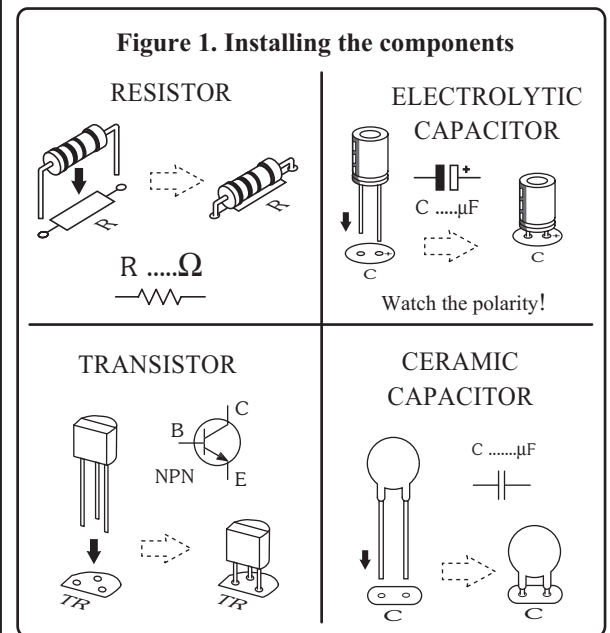
PCB assembly:

Shown in Figure 3 is the assembled PCB. Starting with the lowest height components first, taking care not to short any tracks or touch the edge connector with solder. Some tracks run under components, and care should be taken not to short out these tracks. All components with axial leads should be carefully bent to fit the position on the PCB and then soldered into place. Make sure that the electrolytic capacitors are inserted the correct way around. Now check that you really did mount them all the right way round!

Testing:

This kit has an operating voltage range of 9 VDC. Apply power supply. Push some switch, you will hear the sound from speaker. And then push the

other switch, you will hear the police siren sound from speaker.



Troubleshooting:
The most problem like the fault soldering. Check all the soldering joint suspicious. If you discover the short track or the short soldering joint, re-solder at that point and check other the soldering joint. Check the position of all component on the PCB. See that there are no components missing or inserted in the wrong places. Make sure that all the polarised components have been soldered the right way round.

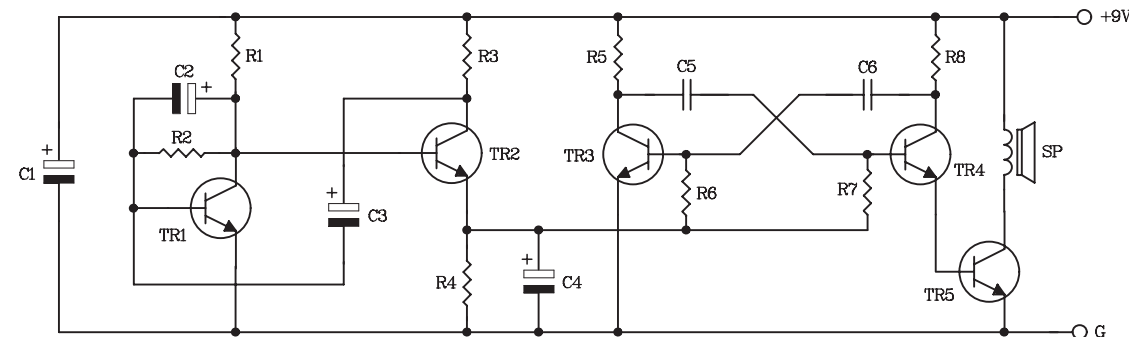
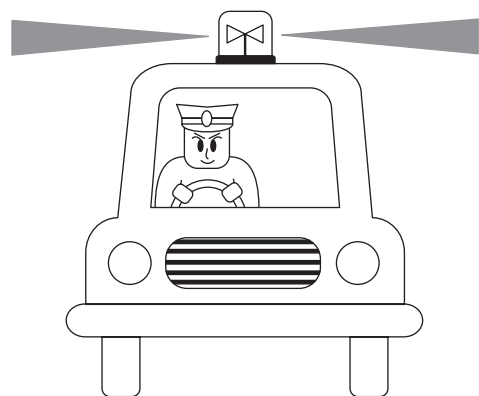


Figure 2. The police siren circuit

FK234-2

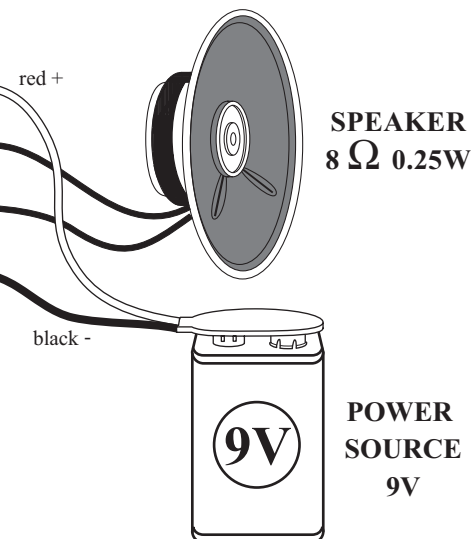
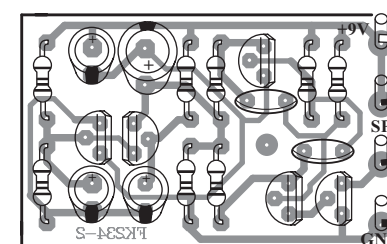
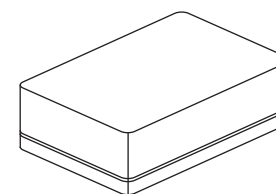


Figure 3. Connections



NOTE:
FUTURE BOX FB03 is suitable for this kit.

NEW KIT SET

CODE FK	DESCRIPTION	POWER
156	MINI TRAFFIC LIGHT 3 LED	9-12VDC
157	TWO WAY CHASING LIGHT TWO COLOUR 10 LED	9-12VDC
158	STROBOSCOPE 220V	220VAC
159	SHAKING DICE	9-12VDC
160	RANDOM NUMBER GAME 1 DIGIT	9-12VDC
273	MUSIC DOOR (WITH MAGNATIC SWITCH)	3VDC
274	MINI ORGAN 13 TONE (WITH MAGNATIC SWITCH)	9VDC
325	RINGING SIGNAL LIGHT 5 LED	NONE
672	MINI MEGAPHONE (WITH SPEAKER)	4.5-12VDC