

POWER AMP 2 WATT MULTI PURPOS
CODE 602 (LEVEL 1)

This power amplifier circuit is the small amplifying circuit that suitable for sound a bout signal amplifying.

Technical specifications:

- power supply : 3-12VDC.
- consumption : 300mA.max. (8Ω loudspeaker, 0.25W @12VDC).
- output power : 2W.max. (8Ω loudspeaker, 2W@12VDC, 1.5A. max.)
- adjust. level sound by trimmer potentiometer.
- S/N ratio : 80dB (A weighted)
- frequency response : 20Hz to 20kHz (-3dB)
- PCB dimensions : 1.62 x 1.42 inches.

How to works:

Signal from INPUT will passes C1 and VR1 to adjust sound signal. Signal at the middle pin of volume will pass to pin 3 and amplify signal to pin 5. The amplified signal will then pass C8 to coupling signal toward the speaker.

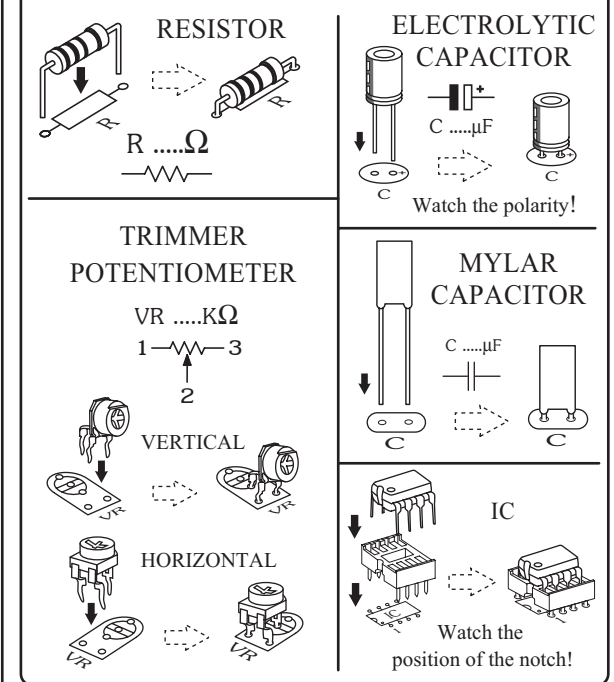
PCB assembly:

Shown in Figure 3 is the assembled PCB. Starting with the lowest height components first, taking care not to short any tracks or touch the edge connector with solder. Some tracks run under components, and care should be taken not to short out these tracks. If the pins will not enter the holes with ease, use a small drill to slightly enlarge the opening. All components with axial leads should be carefully bent to fit the position on the PCB and then soldered into place. Make sure that the electrolytic capacitors are inserted the correct way around. Some components are particularly sensitive to heat (ie: Transistors, IC's, diodes etc.) extra care must be taken to only apply the iron for as little time as possible, using a pair of pliers to grip the leads will help conduct heat away. Trim components leads with wire cutters to prevent excess lengths causing a short circuit. Now check that you really did mount them all the right way round!

Testing:

Installing according to the figure, turning the trimpot potentiometer to max. counterclockwise. Connecting the signal from tape or radio, phone to "IN" point. Connecting SP with the speaker. Power supply using 3-12 volts rate 300mA. minimum or set 6, 9, 12V. Then increasing volume of the trimpot potentiometer by turning to the right hand size, speaker sound would louder. If increasing the volume but the sound is not clear, means input signal is too strong and should be decreased.

Figure 1. Installing the componants



Troubleshooting:

The most problem like the fault soldering. Check all the soldering joint suspicious. If you discover the short track or the short soldering joint, re-solder at that point and check other the soldering joint. Check the position of all component on the PCB. See that there are no components missing or inserted in the wrong places. Make sure that all the polarised components have been soldered the right way round.

Figure 2. The power amp 2W. circuit

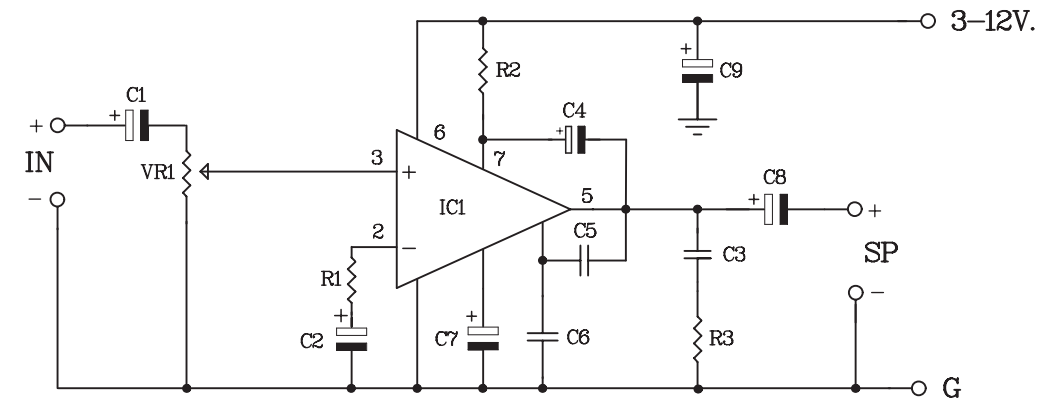
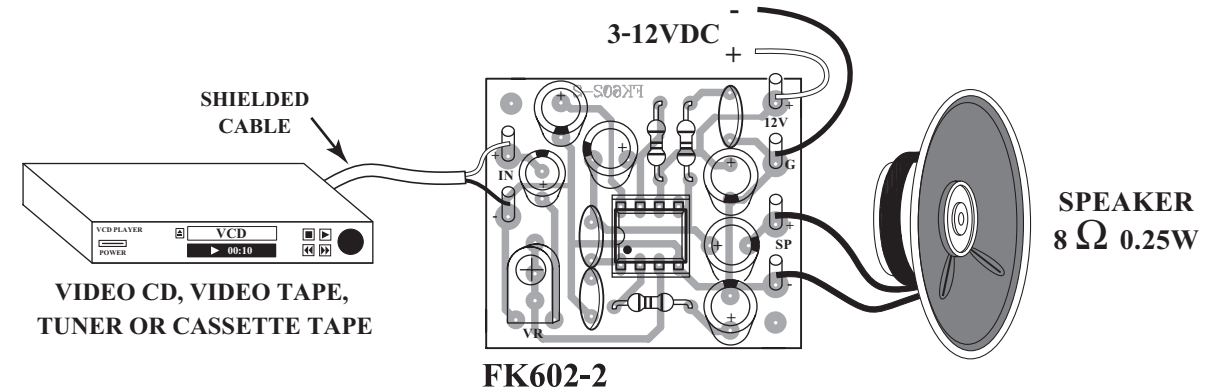


Figure 3. Connections



NEW KIT SET

CODE FK	DESCRIPTION	POWER
167	FIREFLY LIGHT (NIGHT ACTIVATE)	3VDC
275	THREE TRAIN SOUNDS IC DIGITAL	3VDC
276	OWL VOICE IC DIGITAL	3VDC
326	DUAL STATION INTERCOM&DOOR BELL WITH 2 SPEAKER	6-12VDC
436	UHF REMOTE CONTROL 1 CH.	TX. 9VDC RX. 12VDC
673	MINI POWER AMP 1+1W. STEREO	3-12VDC