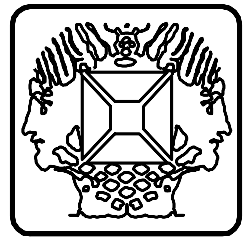


velleman-**kit**

HIGH-Q



K2668

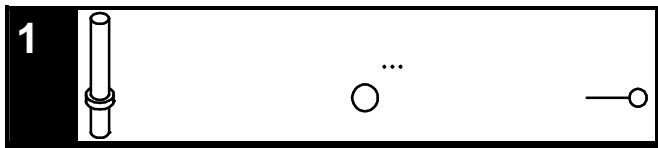
DUAL STEREO VU METER MODULE

- FIVE LEDS PER CHANNEL
- INTERVALS : 5 dB,5 dB,3 dB,3 dB
- SENSITIVITY : 0 dB = 0.775 V RMS (orange led)
- POWER SUPPLY : 9 - 12 V AC 180 mA MAX.

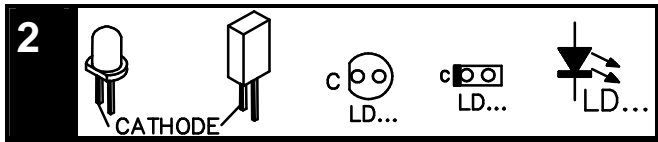
modifications reserved

C O D E	I	P	E	SF	S	DK	N	D	GB	F	NL	C O D E
	CODICE COLORE	CODIGO DE CORES	CODIGO DE COLORES	VÄRI KOODI	FÄRG SCHEMA	FARVE KODE	FARGE KODE	FARB KODE	COLOUR CODE	CODIFI- CATION DES COU- LEURS	KLEUR KODE	
0	Nero	Preto	Negro	Musta	Svart	Sort	Sort	Schwarz	Black	Noir	Zwart	0
1	Marrone	Castanho	Marrón	Ruskea	Brun	Brun	Brun	Braun	Brown	Brun	Bruin	1
2	Rosso	Encarnado	Rojo	Punainen	Röd	Rød	Rød	Rot	Red	Rouge	Rood	2
3	Aranciato	Laranja	Naranjado	Oranssi	Orange	Orange	Orange	Orange	Orange	Orange	Oranje	3
4	Giallo	Amarelo	Amarillo	Keltainen	Gul	Gul	Gul	Gelb	Yellow	Jaune	Geel	4
5	Verde	Verde	Verde	Vihreä	Grön	Grøn	Grønn	Grün	Green	Vert	Groen	5
6	Blu	Azul	Azul	Sininen	Blå	Blå	Blå	Blau	Blue	Blue	Blauw	6
7	Viola	Violeta	Morado	Purppura	Lila	Violet	Violet	Violet	Purple	Violet	Paars	7
8	Grigio	Cinzento	Gris	Harmaa	Grå	Grå	Grå	Grau	Grey	Gris	Grijs	8
9	Bianco	Branco	Blanco	Valkoinen	Vit	Hvid	Hvidt	Weiss	White	Blanc	Wit	9
A	Argento	Prateado	Plata	Hopea	Silver	Sølv	Sølv	Silber	Silver	Argent	Zilver	A
B	Oro	Dourado	Oro	Kulta	Guld	Guld	Guldl	Gold	Gold	Or	Goud	B

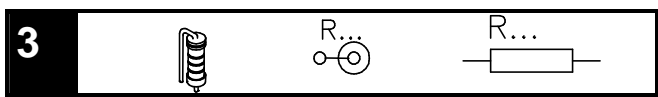
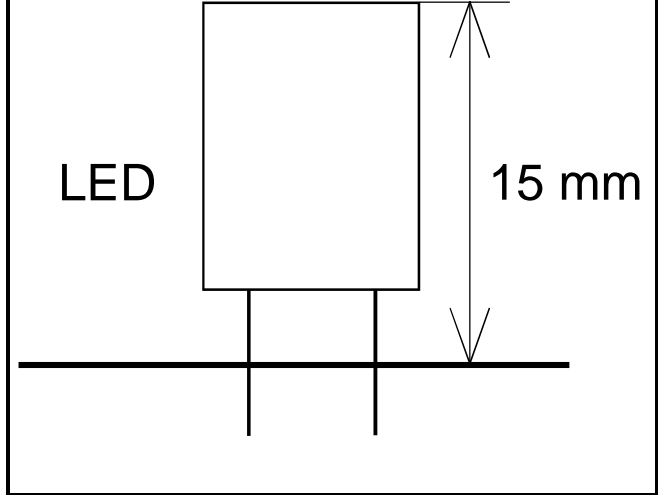
P2668



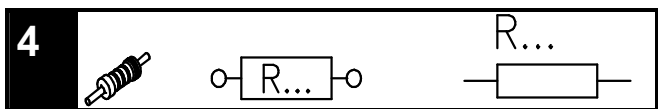
10 x



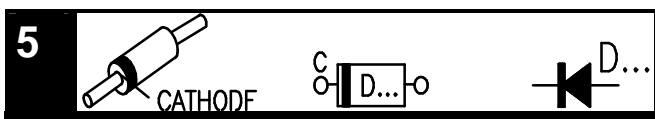
LD1,LD2,LD3 (L&R) green (5)
LD4 (L&R) orange (3)
LD5 (L&R) red (2)



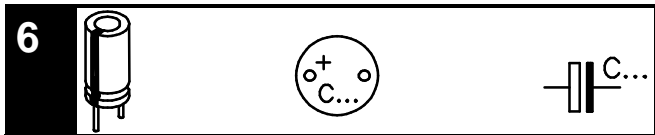
R1(L&R): 18 K (1-8-3-B)
R2(L&R): 1K8 (1-8-2-B)
R3(L&R): 47 K (4-7-3-B)



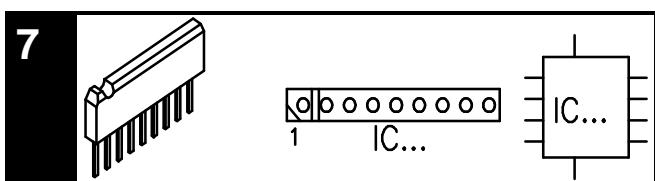
R4(L&R): 82 (8-2-0-B)



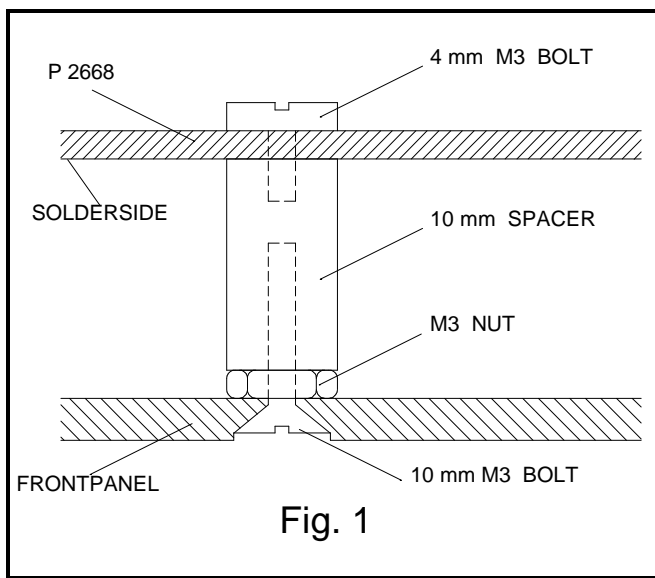
D1,D2 : 1N4007

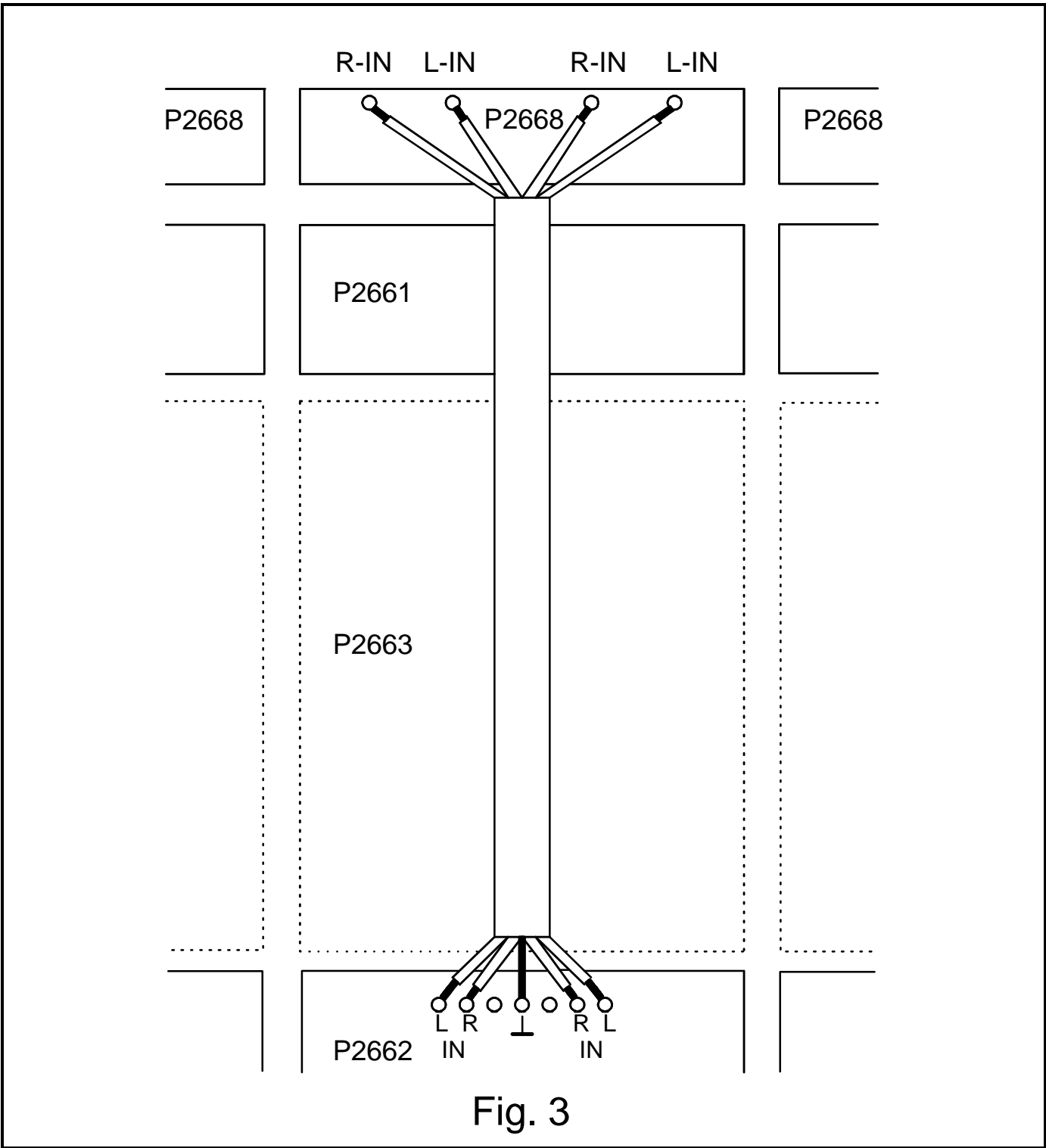
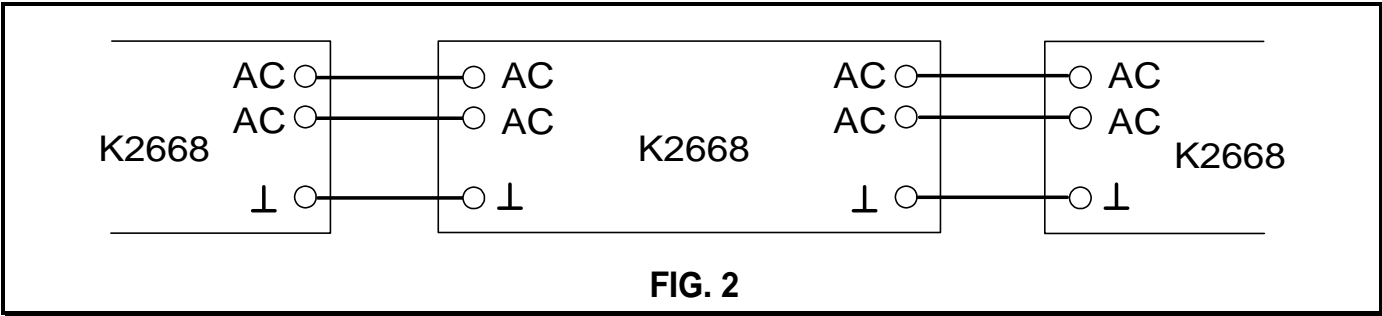


C1,C2 (L&R): 4μ7 50 V
C3: 220 μF 25 V



IC1(L&R): KA2285





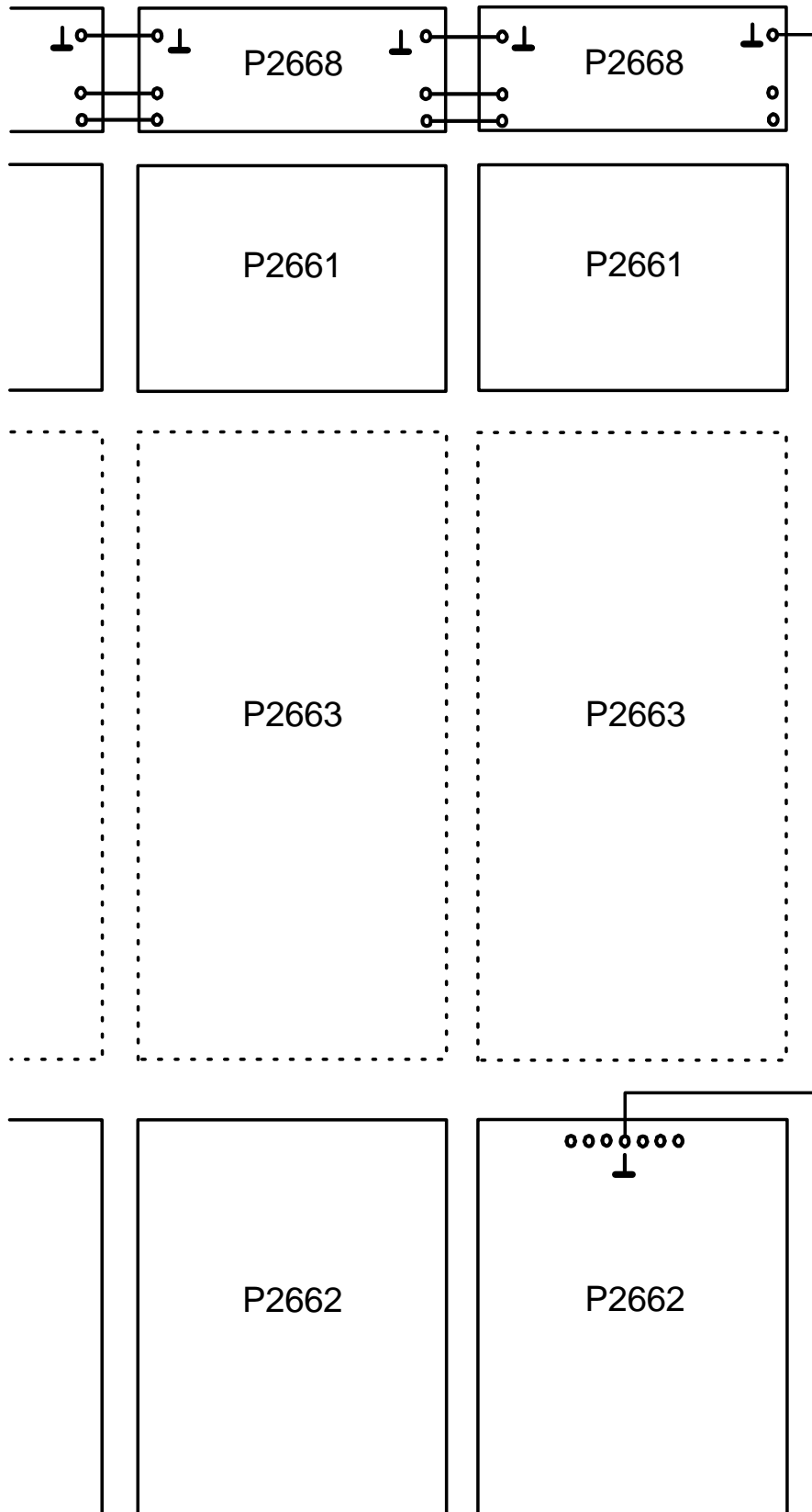
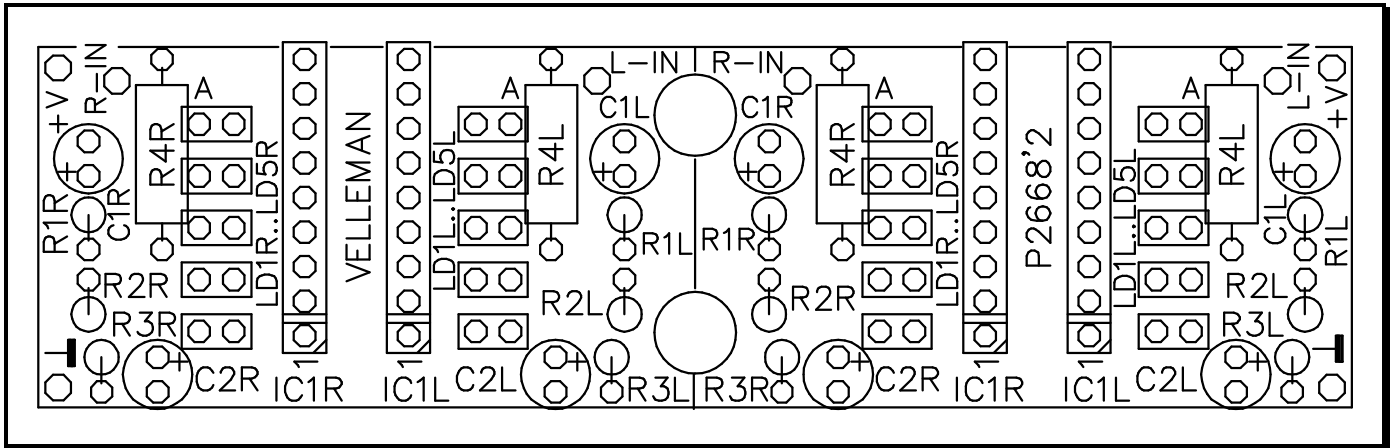
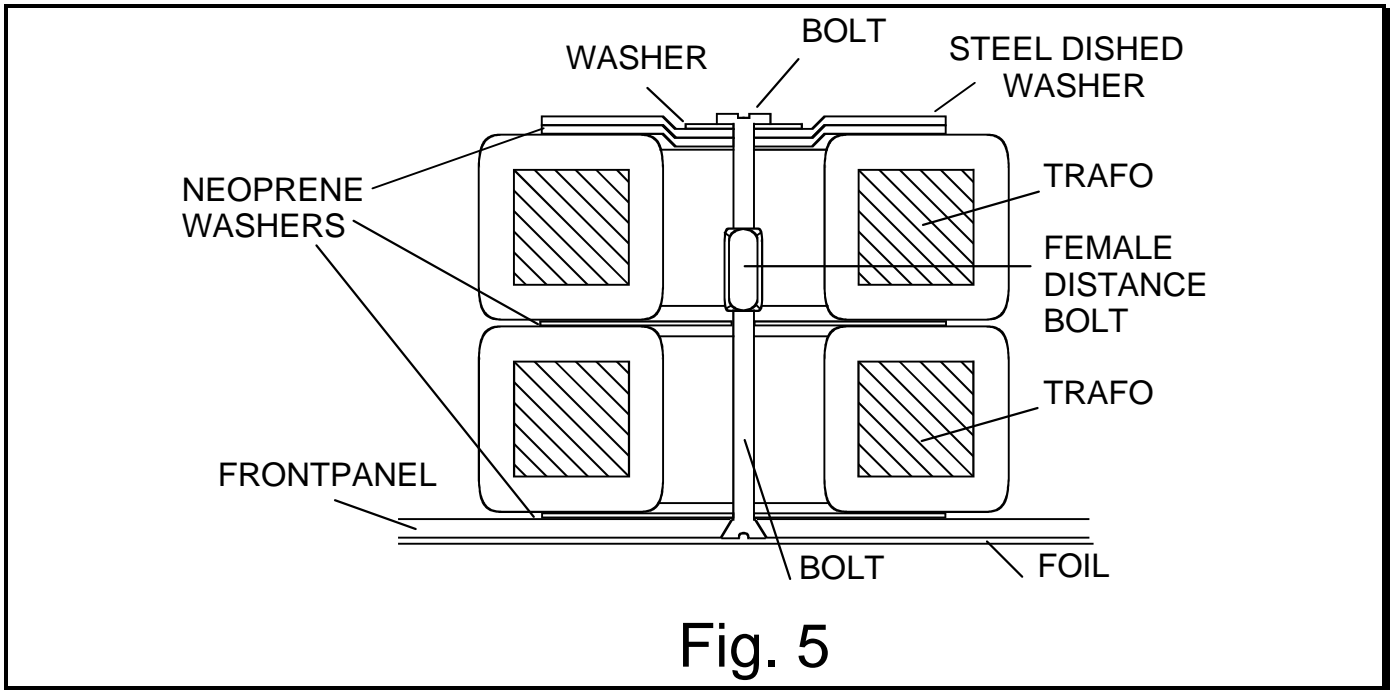


Fig. 4



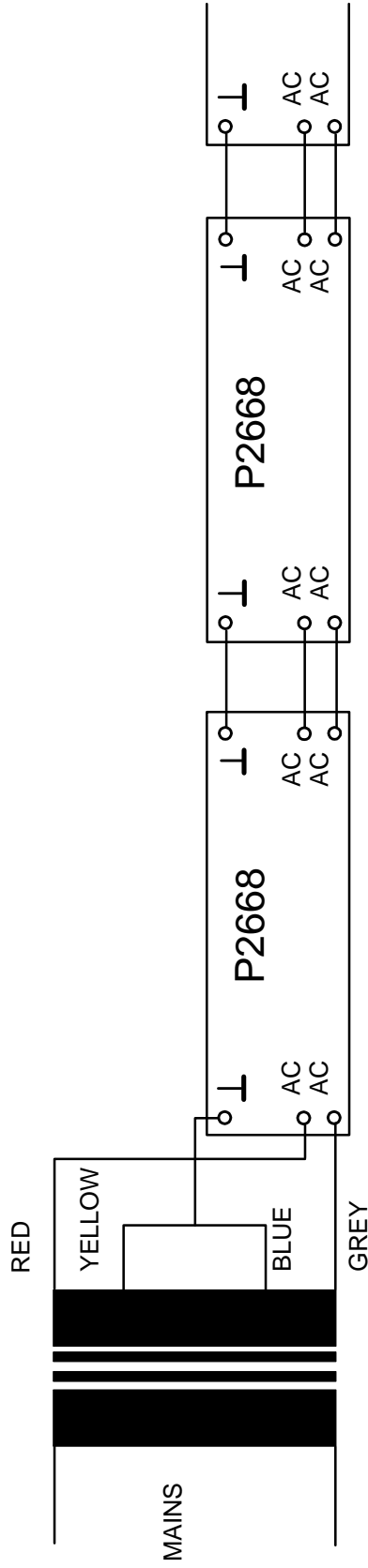


Fig. 6