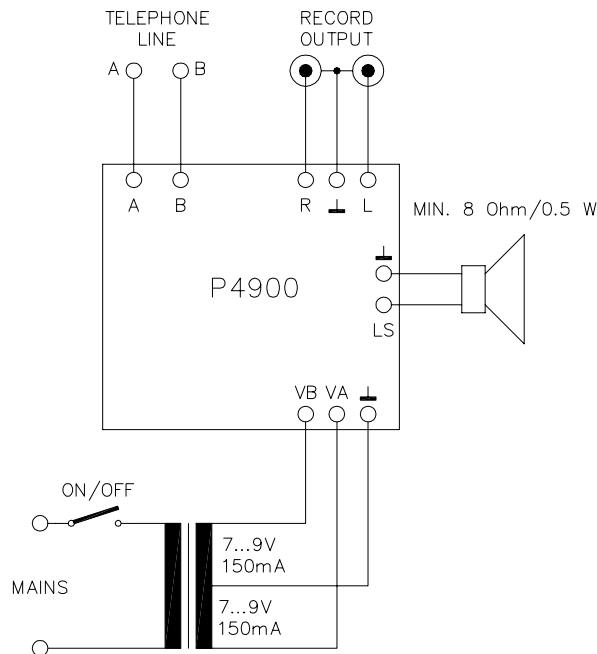


# Connection diagram of the telephone amplifier as stand alone unit.

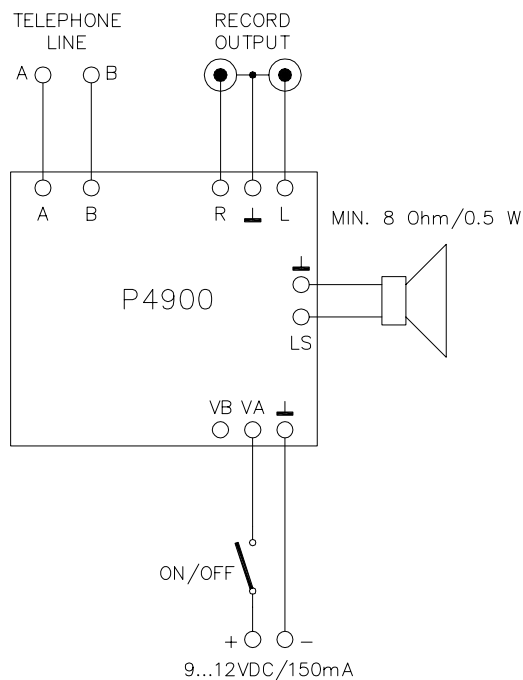
K4900



## Power supply of 9 to 12VDC



## Power supply of 2x7 to 2x9VAC



# Connection diagram of the telephone amplifier build into a mixing panel (K2661 - K2662 - K2663)

K4900

i

