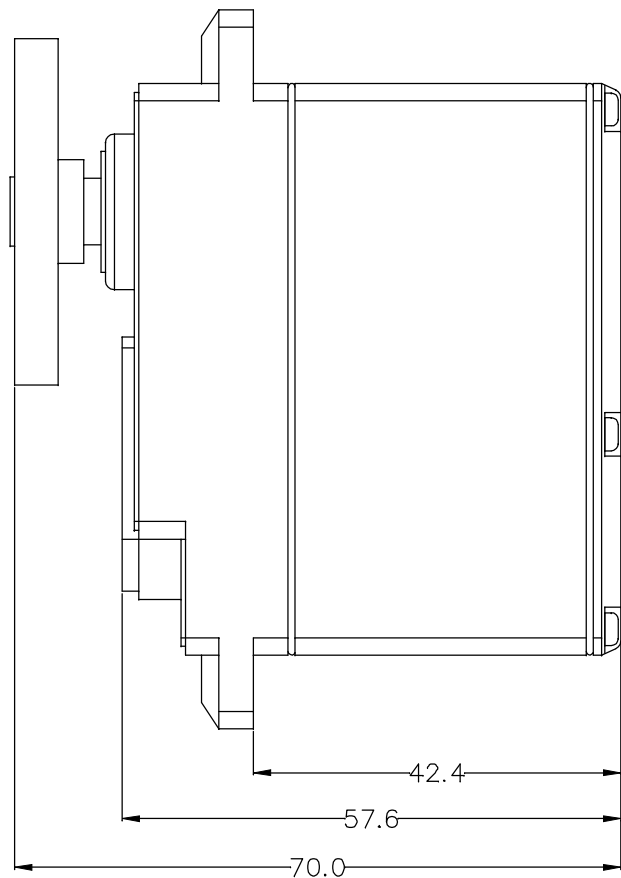
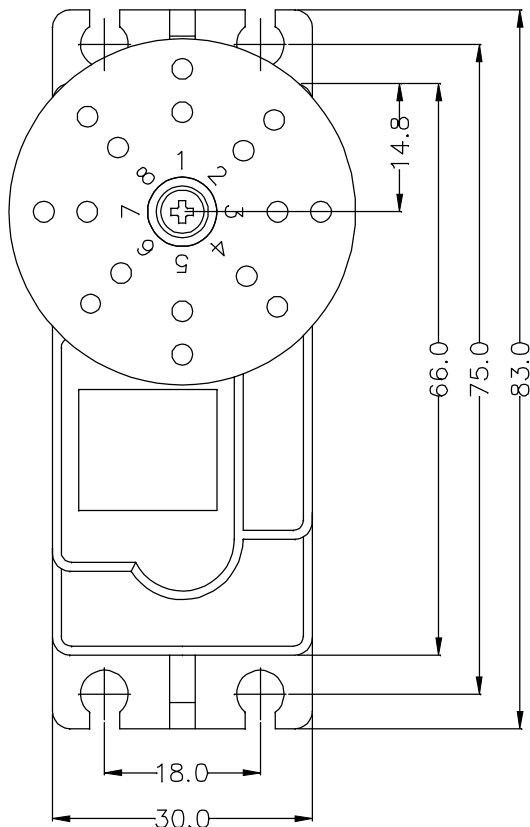


ANNOUNCED SPECIFICATION OF HS-805MG METAL GEAR MEGA SCALE SERVO

1. TECHNICAL VALUE

CONTROL SYSTEM	: +PULSE WIDTH CONTROL 1500usec NEUTRAL	
OPERATING VOLTAGE RANGE	: 4.8V TO 6.0V	
OPERATING TEMPERATURE RANGE	: -20°C TO +60°C (-4°F TO +140°F)	
TEST VOLTAGE	: AT 4.8V	AT 6.0V
OPERATING SPEED	: 0.19sec/60° AT NO LOAD	0.14sec/60° AT NO LOAD
STALL TORQUE	: 19.8kg.cm(274.97oz.in)	24.7kg.cm(343.01oz.in)
STANDING TORQUE	: -	
IDLE CURRENT	: 8mA AT STOPPED	10mA AT STOPPED
RUNNING CURRENT	: 400mA/NO LOAD RUNNING	520mA/NO LOAD RUNNING
STALL CURRENT	: 4,800mA	
DEAD BAND WIDTH	: 5usec	
OPERATING TRAVEL	: 40±5°/ONE SIDE PULSE TRAVELING 400usec	
DIRECTION	: CLOCK WISE/PULSE TRAVELING 1500 TO 1900usec	
MOTOR TYPE	: CORED CARBON BRUSH	
POTENTIOMETER TYPE	: 6 SLIDER/500K CYCLE LONG LIFE/INDIRECT DRIVE	
AMPLIFIER TYPE	: HT7003 ANALOG AMPLIFIER WITH LARGE CAPACITY TRANSISTER DRIVE	
DIMENSIONS	: 66x30x57.6mm(2.6x1.18x2.27in)	
WEIGHT	: 197g(6.95oz)	
BALL BEARING	: DUAL/MR148	
GEAR MATERIAL	: 1 RESIN & 4 ALL METAL	
HORN GEAR SPLINE	: 13 SEGMENTS/φ7.7	
SPLINED HORNS	: MEGA/Q-1A, Q-0A, Q-XA	
CONNECTOR WIRE LENGTH	: 300mm(11.81in)/TWISTED	
CONNECTOR WIRE STRAND COUNTER	: 60EA	
CONNECTOR WIRE GAUGE	: 22AWG	



2. FEATURES

DURABLE METAL GEARS WITH DUAL BALL BEARING
 WATER & DUST RESISTANCE

3. APPLICATIONS

QUARTER SCALE MODELS