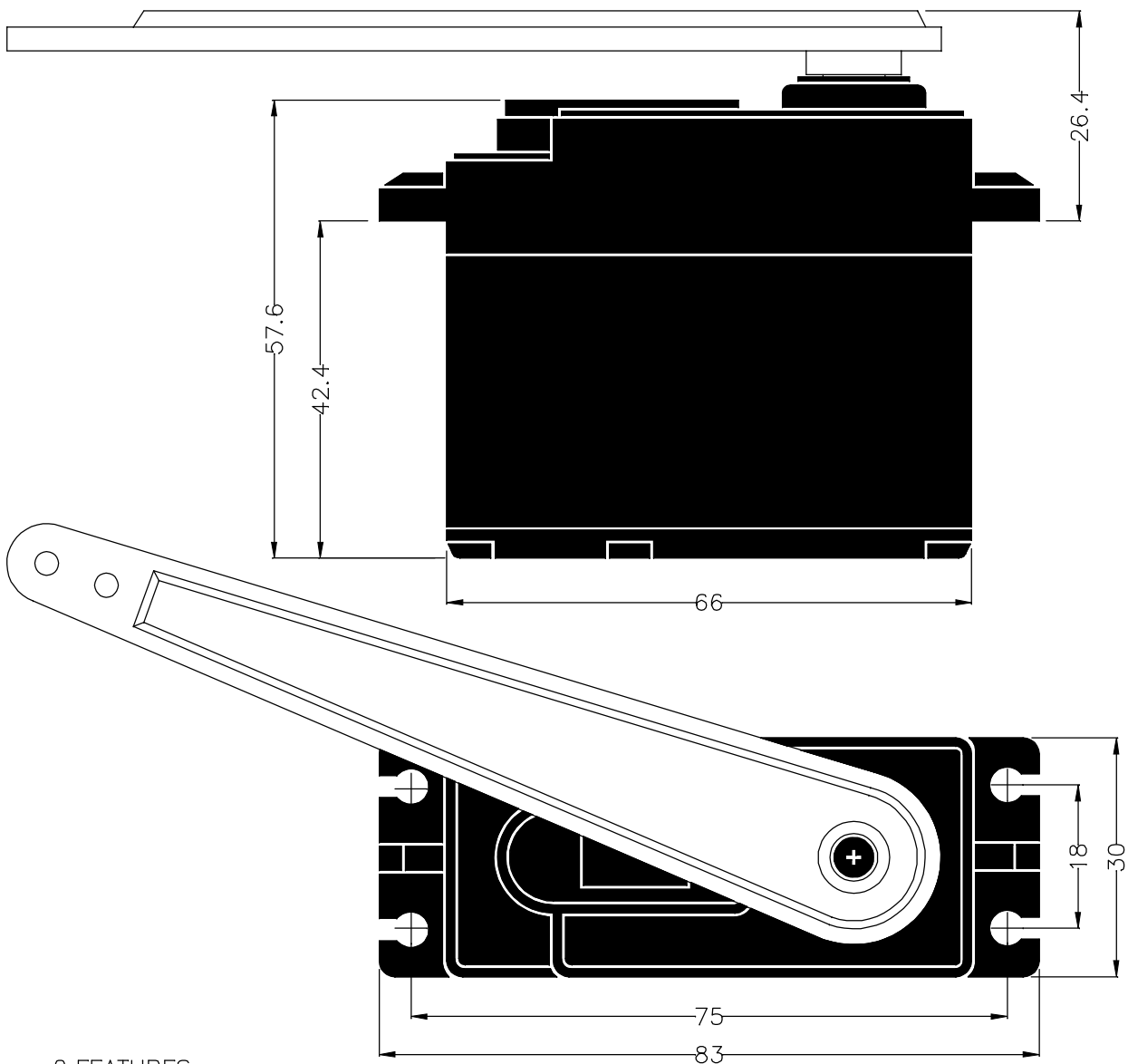


# ANNOUNCED SPECIFICATION OF HS-815BB MEGA 1/4 SCALE ARM 140° SERVO

## 1. TECHNICAL VALUES

CONTROL SYSTEM	: +PULSE WIDTH CONTROL 1500usec NEUTRAL
OPERATING VOLTAGE RANGE	: 4.8V TO 6.0V
OPERATING TEMPERATURE RANGE	: -20 TO +60°C
TEST VOLTAGE	: AT 4.8V AT 6.0V
OPERATING SPEED	: 0.19sec/60° AT NO LOAD 0.14sec/60° AT NO LOAD
STALL TORQUE	: 19.8kg.cm(274.96oz.in) 24.7kg.cm(343.01oz.in)
OPERATING ANGLE	: 70°/ONE SIDE PULSE TRAVELING 400usec
DIRECTION	: CLOCK WISE/PULSE TRAVELING 1500 TO 1900usec
CURRENT DRAIN	: 8mA/IDLE AND 700mA/NO LOAD RUNNING
DEAD BAND WIDTH	: 8usec
CONNECTOR WIRE LENGTH	: 300mm(11.81in)
DIMENSIONS	: 66x30x57.6mm(2.59x1.18x2.26in)
WEIGHT	: 152g(5.36oz)



## 2. FEATURES

- 3-POLE FERRITE MOTOR
- LONG LIFE POTENTIOMETER
- DUAL BALL BEARING
- INDIRECT POTENTIOMETER DRIVE
- WATER & DUST TIGHT
- 108mm(4.25in) LONG ARM

## 3. APPLICATIONS

SAILBOAT SAIL ARM SERVO