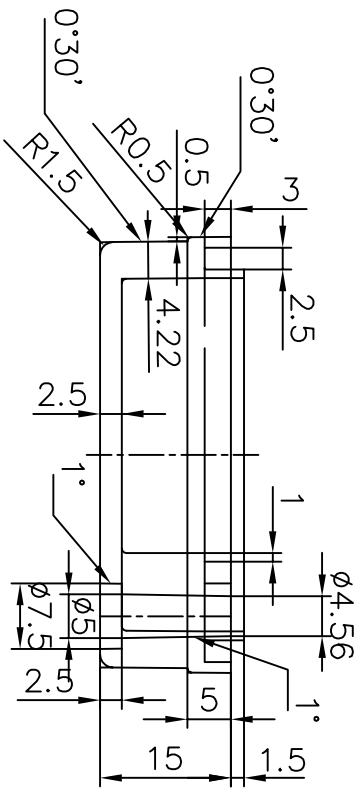
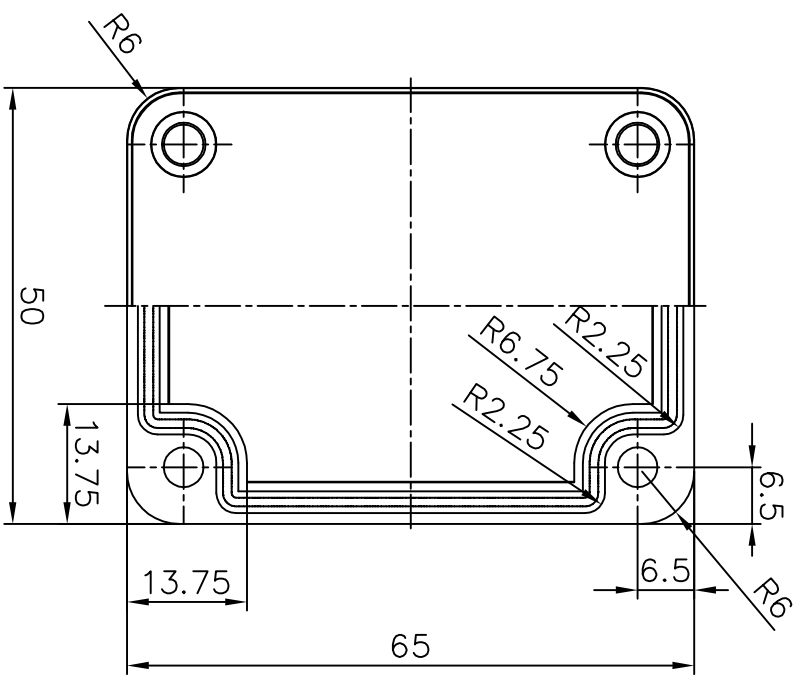


DWG			
DATE	SCALE	IN	PRODUCTION
0506	3:1	RESIN	BODY



DATE	SCALE	IN	PRODUCTION	3	REV	05/06
NAME	DESIGN	NO.	NO.	NO.	NO.	NO.
COVER						
DWG						