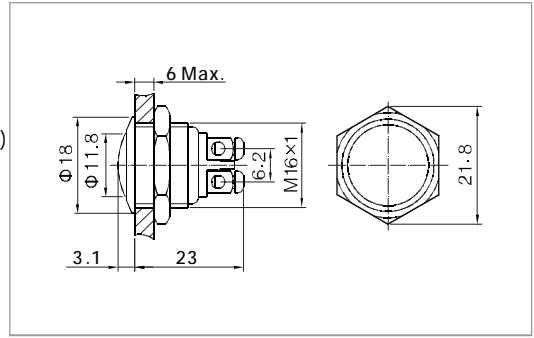


### ANTI-VANDALpush button



GQ16B-10/0

- ⊙  $\Phi$  16mm diameter
- ⊙ Switch Rating:2A/36VDC
- ⊙ Contact Configuration:1NO(1NC Made to order)
- ⊙ Operation Type: Momentary
- ⊙ The Front Shape:Domed
- ⊙ The crust material: Stainless Steel/  
Brass(Nickel plated, Gold plated)
- ⊙ IP Degree:IP65

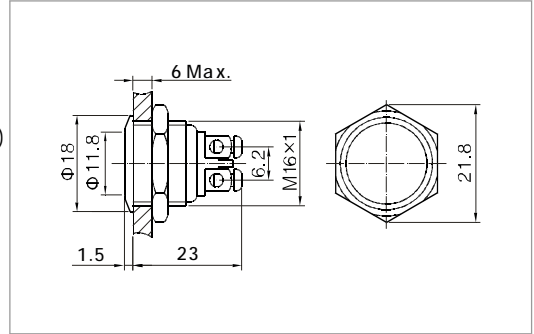


### ANTI-VANDALpush button



GQ16F-10/0

- ⊙  $\Phi$  16mm diameter
- ⊙ Switch Rating:2A/36VDC
- ⊙ Contact Configuration:1NO(1NC Made to order)
- ⊙ Operation Type: Momentary
- ⊙ The Front Shape:Flat Round
- ⊙ The crust material: Stainless Steel/  
Brass(Nickel plated, Gold plated)
- ⊙ IP Degree:IP65

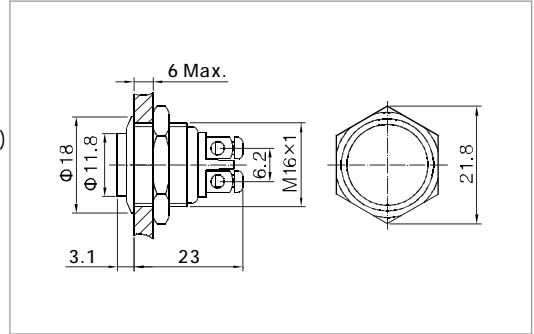


### ANTI-VANDALpush button



GQ16H-10/0

- ⊙  $\Phi$  16mm diameter
- ⊙ Switch Rating:2A/36VDC
- ⊙ Contact Configuration:1NO(1NC Made to order)
- ⊙ Operation Type: Momentary
- ⊙ The Front Shape: High Round
- ⊙ The crust material: Stainless Steel  
/Brass(Nickel plated, Gold plated)
- ⊙ IP Degree:IP65



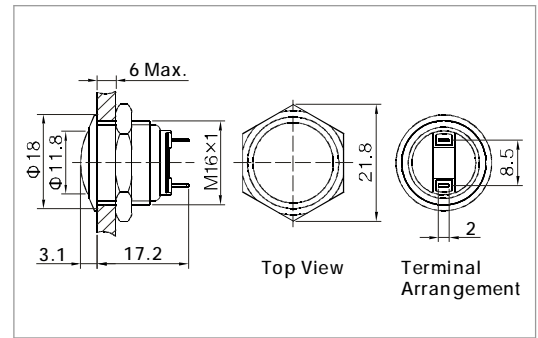
Specification	GQ16B-10/0	GQ16F-10/0	GQ16H-10/0	
The Front Shape	Domed	Flat Round	High Round	
Terminal Type	Screw Terminals	Screw Terminals	Screw Terminals	
Switching	No.1	No.1	No.1	
Max.Switch Rating	2A/36VDC	2A/36VDC	2A/36VDC	
Contact Resistance	$\leq 50m\Omega$	$\leq 50m\Omega$	$\leq 50m\Omega$	
Insulation Resistance	$\geq 1000M\Omega$	$\geq 1000M\Omega$	$\geq 1000M\Omega$	
Dielectric Strength	2000VAC	2000VAC	2000VAC	
Operating Temp	-20°C ~ +55°C	-20°C ~ +55°C	-20°C ~ +55°C	
Mechanical life	1,000,000 cycles	1,000,000 cycles	1,000,000 cycles	
Electrical life	200,000 cycles	200,000 cycles	200,000 cycles	
Panel Thickness	1 ~ 6mm	1 ~ 6mm	1 ~ 6mm	
Torque	5 ~ 14Nm	5 ~ 14Nm	5 ~ 14Nm	
Operation Pressure	About 4N	About 4N	About 4N	
Operation Distance	About 1.5mm	About 1.5mm	About 1.5mm	
IP Degree	IP65	IP65	IP65	
Material	Contact	Silver Alloy	Silver Alloy	
	Button	Stainless Steel/Brass(Nickel plated, Gold plated)	Stainless Steel/Brass(Nickel plated, Gold plated)	Stainless Steel/Brass(Nickel plated, Gold plated)
	Body	Stainless Steel/Brass(Nickel plated, Gold plated)	Stainless Steel/Brass(Nickel plated, Gold plated)	Stainless Steel/Brass(Nickel plated, Gold plated)
	Base	PBT	PBT	PBT
	RoHS	Made to order	Made to order	Made to order

## ANTI-VANDAL PUSH BUTTON



GQ16B-10/J/Ø

- ⊙  $\Phi$  16mm diameter
- ⊙ Switch Rating: 2A/36VDC
- ⊙ Contact Configuration: 1NO
- ⊙ Operation Type: Momentary
- ⊙ The Front Shape: Domed
- ⊙ The crust material: Stainless Steel/ Brass(Nickel plated, Gold plated)
- ⊙ IP Degree: IP65

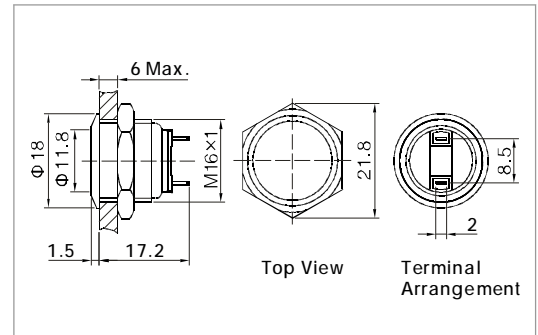


## ANTI-VANDAL PUSH BUTTON



GQ16F-10/J/Ø

- ⊙  $\Phi$  16mm diameter
- ⊙ Switch Rating: 2A/36VDC
- ⊙ Contact Configuration: 1NO
- ⊙ Operation Type: Momentary
- ⊙ The Front Shape: Flat Round
- ⊙ The crust material: Stainless Steel/ Brass(Nickel plated, Gold plated)
- ⊙ IP Degree: IP65

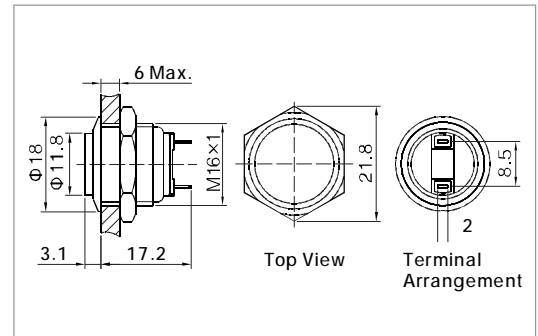


## ANTI-VANDAL PUSH BUTTON



GQ16H-10/J/Ø

- ⊙  $\Phi$  16mm diameter
- ⊙ Switch Rating: 2A/36VDC
- ⊙ Contact Configuration: 1NO
- ⊙ Operation Type: Momentary
- ⊙ The Front Shape: High Round
- ⊙ The crust material: Stainless Steel/ Brass(Nickel plated, Gold plated)
- ⊙ IP Degree: IP65



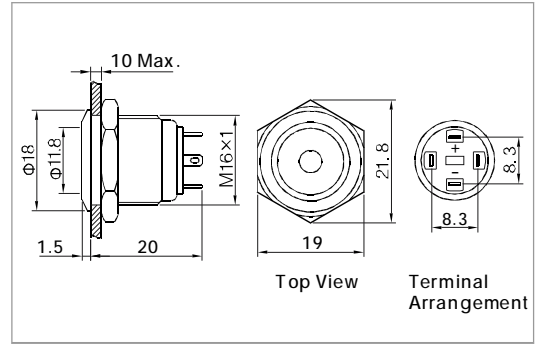
Specification	GQ16B-10/J/Ø	GQ16F-10/J/Ø	GQ16H-10/J/Ø	
The Front Shape	Domed	Flat Round	High Round	
Terminal Type	Pin Terminal(2×0.5mm)	Pin Terminal(2×0.5mm)	Pin Terminal(2×0.5mm)	
Switching	No.1	No.1	No.1	
Max. Switch Rating	2A/36VDC	2A/36VDC	2A/36VDC	
Contact Resistance	≤ 50mΩ	≤ 50mΩ	≤ 50mΩ	
Insulation Resistance	≥ 1000MΩ	≥ 1000MΩ	≥ 1000MΩ	
Dielectric Strength	2000VAC	2000VAC	2000VAC	
Operating Temp	-20°C ~ +55°C	-20°C ~ +55°C	-20°C ~ +55°C	
Mechanical life	1,000,000 cycles	1,000,000 cycles	1,000,000 cycles	
Electrical life	200,000 cycles	200,000 cycles	200,000 cycles	
Panel Thickness	1 ~ 6mm	1 ~ 6mm	1 ~ 6mm	
Torque	5 ~ 14Nm	5 ~ 14Nm	5 ~ 14Nm	
Operation Pressure	About 4N	About 4N	About 4N	
Operation Distance	About 1.5mm	About 1.5mm	About 1.5mm	
IP Degree	IP65	IP65	IP65	
Material	Contact	Silver Alloy	Silver Alloy	
	Button	Stainless Steel/Brass(Nickel plated, Gold plated)	Stainless Steel/Brass(Nickel plated, Gold plated)	
	Body	Stainless Steel/Brass(Nickel plated, Gold plated)	Stainless Steel/Brass(Nickel plated, Gold plated)	
	Base	PBT	PBT	
	RoHS	Made to order	Made to order	Made to order

## ANTI-VANDALDOT ILLUMINATED PUSH BUTTON



GQ16F-10D/J/Δ/▲/⊙

- ⊙ Φ16mm diameter
- ⊙ Switch Rating:2A/36VDC
- ⊙ Contact Configuration:1NO
- ⊙ Operation Type: Momentary
- ⊙ The crust material: Stainless Steel/ Nickel Plated Brass
- ⊙ Dot Illuminated
- ⊙ IP Degree:IP65

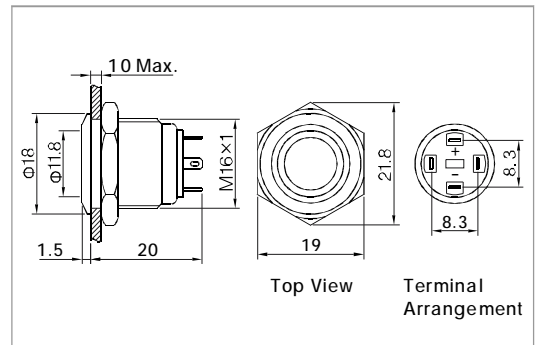


## ANTI-VANDALRING ILLUMINATED PUSH BUTTON



GQ16F-10E/J/Δ/▲/⊙

- ⊙ Φ16mm diameter
- ⊙ Switch Rating:2A/36VDC
- ⊙ Contact Configuration:1NO
- ⊙ Operation Type: Momentary
- ⊙ The crust material: Stainless Steel/ Nickel Plated Brass
- ⊙ Ring Illuminated
- ⊙ IP Degree:IP65



Specification		GQ16F-10D/J/Δ/▲/⊙		GQ16F-10E/J/Δ/▲/⊙			
The Front Shape		Flat Round		Flat Round			
Terminal Type		Pin Terminal(2×0.5mm)		Pin Terminal(2×0.5mm)			
Switching		No.1		No.1			
Max.Switch Rating		2A/36VDC		2A/36VDC			
Contact Resistance		≤50mΩ		≤50mΩ			
Insulation Resistance		≥1000MΩ		≥1000MΩ			
Dielectric Strength		2000VAC		2000VAC			
Operating Temp		-20℃ ~ +55℃		-20℃ ~ +55℃			
Mechanical life		1,000,000 cycles		1,000,000 cycles			
Electrical life		50,000 cycles		50,000 cycles			
Panel Thickness		1 ~ 10mm		1 ~ 10mm			
Torque		5 ~ 14Nm		5 ~ 14Nm			
Operation Pressure		About 4N		About 4N			
Operation Distance		About 1.5mm		About 1.5mm			
IP Degree		IP65		IP65			
Material	Contact	Silver Alloy		Silver Alloy			
	Button	Stainless Steel/Nickel Plated Brass		Stainless Steel/Nickel Plated Brass			
	Body	Stainless Steel/Nickel Plated Brass		Stainless Steel/Nickel Plated Brass			
	Base	PBT		PBT			
	RoHS	Made to order		Made to order			
LED Spec.	Type	Dot Illuminated(LED)		Ring Illuminated(LED)			
	Color	<span style="color:red">R</span> <span style="color:yellow">Y</span> <span style="color:orange">O</span>	<span style="color:green">G</span> <span style="color:blue">B</span> <span style="color:white">W</span>	<span style="color:red">R</span> <span style="color:yellow">Y</span> <span style="color:orange">O</span>	<span style="color:green">G</span> <span style="color:blue">B</span> <span style="color:white">W</span>		
	Rated Voltage(Ue)	AC/DC 1.7V	AC/DC 2.8V	AC/DC 1.7V	AC/DC 2.8V		
	Rated Current(Ie)	20mA		20mA			
	Life	40000 hours		40000 hours			
Current-limiting Resistance Configuration Table	Operating Voltage(U)		6V	12V	24V	36V	Formula $R = \frac{U - U_e}{I_e}$
	Current-limiting Resistance(R)	<span style="color:red">R</span> <span style="color:yellow">Y</span> <span style="color:orange">O</span>	210Ω, 1/4W	510Ω, 1/2W	1.2kΩ, 3/4W	2.2KΩ, 1W	
		<span style="color:green">G</span> <span style="color:blue">B</span> <span style="color:white">W</span>	160Ω, 1/4W	460Ω, 1/2W	1.2KΩ, 3/4W	2.2KΩ, 1W	