

## DR30 Series



**DREAM**, the Expert for Human Machine Interfaces, offers the Series DR30 with a choice of different actuators that are suitable for a wide range of industrial applications.

Flat-fronted lenses are an effective way to focus the user's attention on a primary control or function.

Switching elements with integrated bi-colour LEDs are available in green / red, green / yellow, green / white, green / blue, red / yellow, red / white, red / blue, blue / yellow.

The bi-colour version offers the choice to combine two different functions and display them in on and the same indication unit.

DR30 series is available in the water (IP68)

### Main Features

- Attractive design
- Consistent illumination
- Durable build with aluminium lens (option)
- Status indication with one bi-colour unit only
- Actuators and lenses available in many different colours (option)

### Typical applications

The Series DR30 is suitable for a variety of industrial applications like,

- Ticket issuing machines
- Stop-request switch for bus and train
- Cockpits of marine vessels
- Medical instruments
- Audio, video, general lighting and stagecraft

### Mechanical design

- |                       |                    |
|-----------------------|--------------------|
| ■ Contact system      | Snap-action        |
| ■ Contact arrangement | 1NO                |
| ■ Contact materials   | Au                 |
| ■ Actuator housing    | Aluminium anodised |
| ■ Lens                | Aluminium anodised |
| ■ Ring                | Polycarbonate (PC) |

### Mechanical characteristics

- |                    |  |
|--------------------|--|
| ■ Operating force  | 3.3 <sup>+/-0.6</sup> N                |
| ■ Switching travel | 0.34 <sup>+/-0.1</sup> mm <sup>†</sup> |
| ■ Robustness min   | 100N                                   |
| ■ Mounting hole    | 28mm dia.                              |

### Electrical characteristics

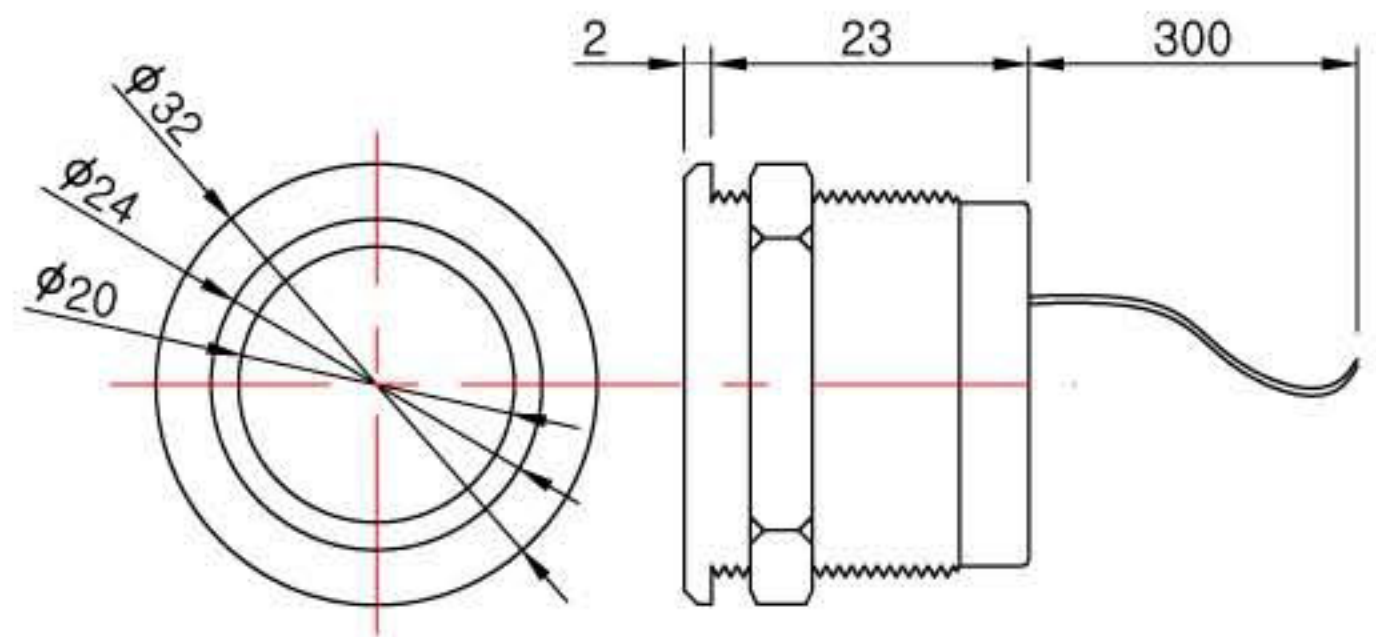
- |                                       |                   |
|---------------------------------------|-------------------|
| ■ Rated voltage min.                  | 0.02V             |
| ■ Rated voltage max.                  | 42V               |
| ■ Rated current min.                  | 0.01mA            |
| ■ Rated current max.                  | 100mA             |
| ■ Rated power max.<br>(ohmic load)    | 1W                |
| ■ Contact resistance<br>when new max. | 100mΩ             |
| ■ Insulation resistance               | 10 <sup>9</sup> Ω |
| ■ Bouncing time max.                  | 5ms               |

### Other specifications

- |   |   |
|---|---|
| ■ Ambient temp. operating<br>operating min.                     | -40°C                                       |
| operating max.  | +80°C                                       |
| ■ Resistance to constant<br>environment                         | according to<br>IEC 600 68-2-3<br>and 2-30  |
| ■ Resistance at variable<br>environment                         | according to<br>IEC 600 68-2-14<br>and 2-33 |
| ■ Operating life at<br>R =23 and test force<br>=1,5*rated force | 1,000,000                                   |
| ■ Solderability/solder<br>heat resistance<br>PCB version        | DIN IEC 600<br>68-2-20                      |
| ■ Flammability of materials                                     | UL 94 HB                                    |

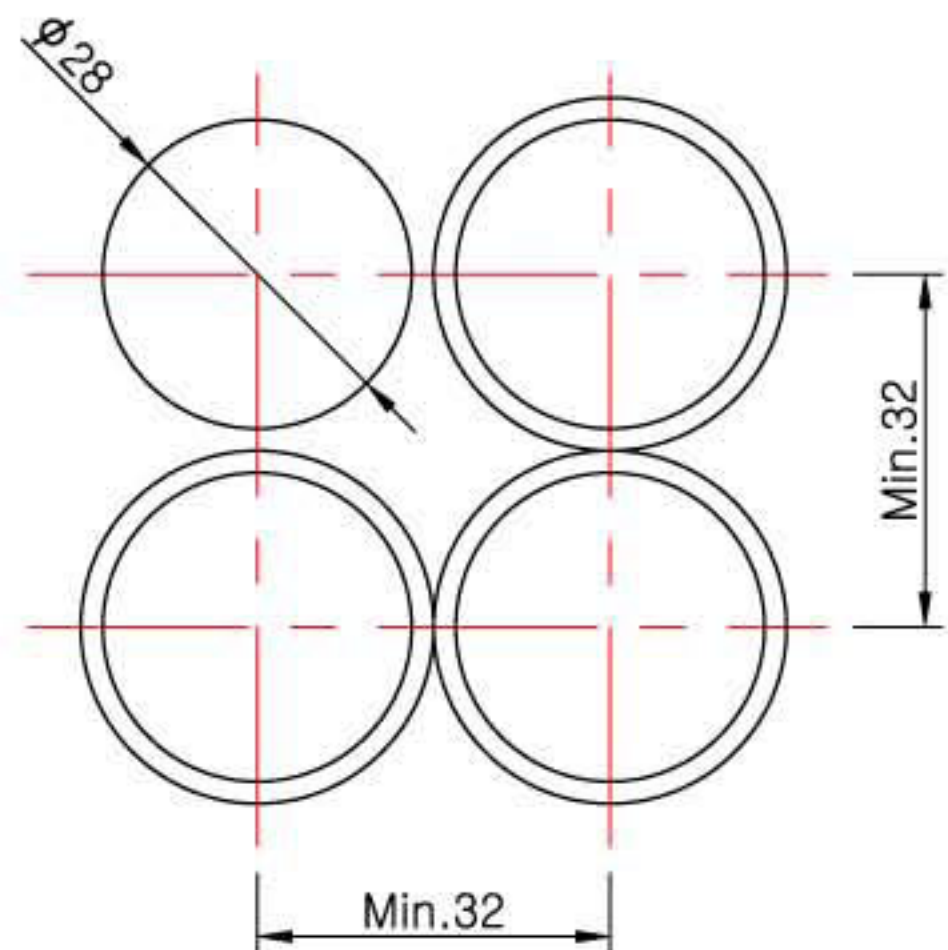


## Technical Drawing



Cable Data	Connector Data
Blue : Switch	1 2 3 4 5
Black : DC (-)	○ ○ ○ ○ ○
Yellow : DC (+)	S/W - + +

## Mounting Dimension



## Ordering Code

DR30 -

RING COLOR	LED COLOR	VOLTAGE
B : BLUE	B : BLUE	1 : DC 6V
C : CLEAR	R : RED	3 : DC 12/24V
R : RED	G : GREEN	X : NONE
G : GREEN	Y : YELLOW	
Y : YELLOW	W : WHITE	
	X : NONE	