

EMI/EMC FILTER

IF/IK SERIES



FEATURES

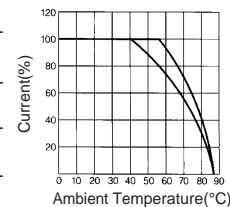
- Ideally suited products that must conform to part 15, FCC regulations.
- Metal cased miniature type with high performance.
- Meet over voltage category II of IEC 60664 and comply with IEC 60950.
- Uses IEC connector that meets the safety standards of virtually all certifying organizations.
- Snap in type for quick mounting.
- Wire output type for small space and economical installation

APPLICATIONS

- Digital equipments.
- Personal computers and peripherals.
- Measuring instruments.
- For use in miniature equipments.
- For monitors display units.

SPECIFICATIONS

Model	Rated Voltage (AC,DC)	Rated Current	Leakage Current (250V AC)	Temperature Rise	Operating Temperature
IF/IK-(N)01**-W	250V	1A	-	30°C max.	-25°C to + 85°C Including temperature rise
IF/IK-(N)02**-W	250V	2A	-	30°C max.	
IF/IK-(L)03**-W	250V	3A	-	30°C max.	
IF/IK-(N)03**-W	250V	3A	-	30°C max.	
IF/IK-(N)06**-W	250V	6A	-	45°C max.	
IF/IK-(N)L10**-W	250V	10A	-	45°C max.	
IF/IK-(N)***0-W	-	*	0.01mA max.	-	
IF/IK-(N)***C-W	-	*	0.075mA max.	-	
IF/IK-(N)***D-W	-	*	0.10mA max.	-	
IF/IK-(N)***2-W	-	*	0.35mA max.	-	
IF/IK-(N)***3-W	-	*	0.50mA max.	-	



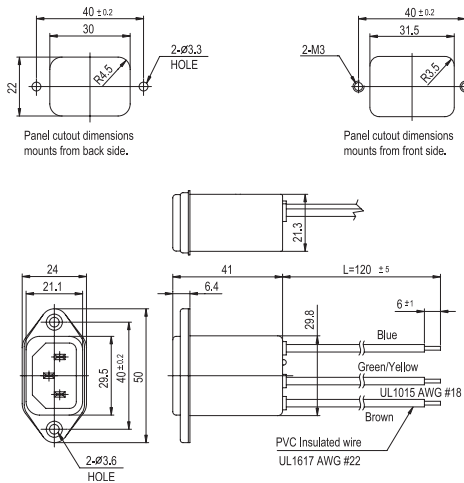
Note :
 Test Voltage:1500V AC one minute line to earth.
 Insulation Resistance:300 Mohm min, at 500V DC.
 Voltage Drop:1V max. at rated current.
 Weight:50g
 Inlet:Compatible with IEC-60320
 IF/IK-(N)****-W are UL unlisted.

Model Number Construction

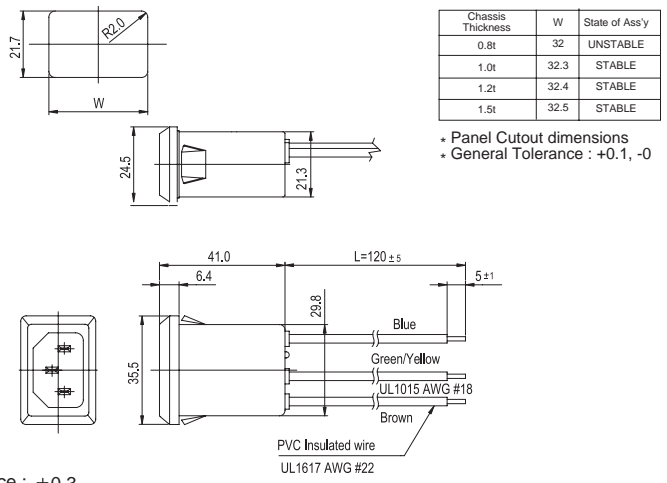
I	F	03	4	2	W
Input Connector I : IEC Connector	Special Design F : Screw Mounting K : Snap-in with Lock spring	Current Rating:AC rms 01,N01 : 1amp 02,N02 : 2amp 03,N03,L03 : 3amp 06,N06 : 6amp L10,N10 : 10amp ("L","N" high performance)	Line-Line Cap. Value 2 : 0.022 μ F 4 : 0.047 μ F A : 0.1 μ F B : 0.15 μ F	Line-Gnd Cap. Value 2 : 2200 pF 3 : 3300 pF C : 330 pF D : 470 pF 0 : None	Output Terminal Style W : PVC Insulated wire

Shapes and Dimensions

* IF Series



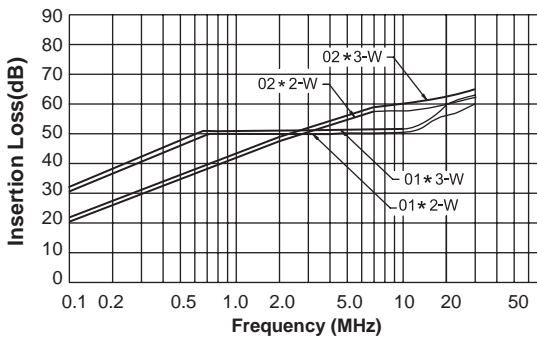
* IK Series



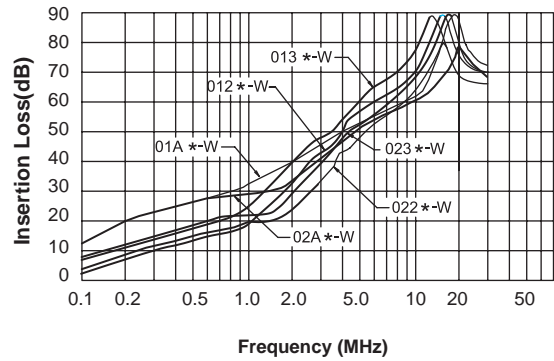
* General tolerance : ±0.3

Attenuation Characteristics

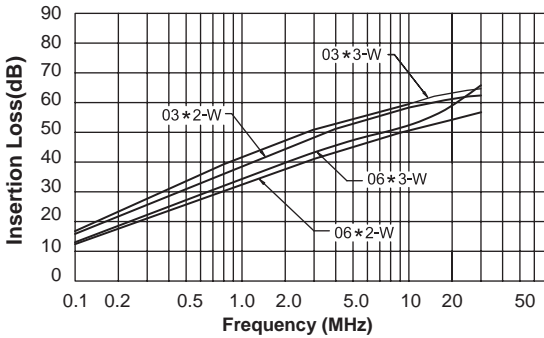
● Common Mode (IF/IK-(N)01/02*2/3-W)



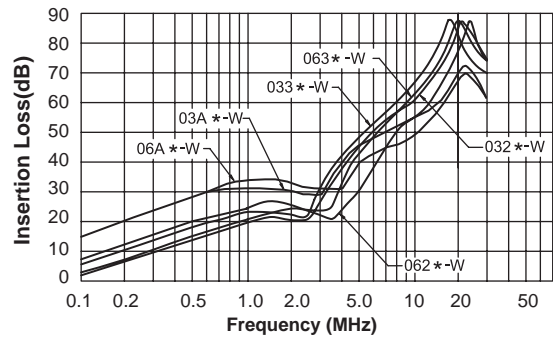
● Differential Mode (IF/IK-(N)**2/3/4*-W)



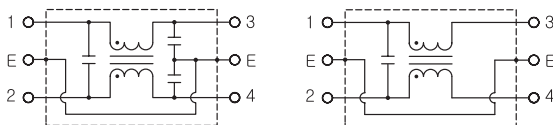
● Common Mode (IF/IK-(N)03/06*2/3-W)



● Differential Mode (IF/IK-(N)**2/3/A*-W)



● Circuit Diagram



IF/IK-***** type

IF/IK-***0* type

● Measurement configuration

