

MC14558B

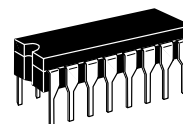
BCD-to-Seven Segment Decoder

The MC14558B decodes 4-bit binary coded decimal data dependent on the state of auxiliary inputs, Enable and $\overline{\text{RBI}}$, and provides an active-high seven-segment output for a display driver.

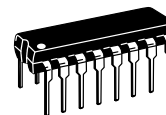
An auxiliary input truth table is shown, in addition to the BCD to seven-segment truth table, to indicate the functions available with the two auxiliary inputs.

Leading Zero blanking is easily obtained with an external flip-flop in time division multiplexed systems displaying most significant decade first.

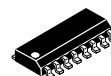
- Supply Voltage Range = 3.0 Vdc to 18 Vdc
- Segment Blanking for All Illegal Input Combinations
- Lamp Test Function
- Capability for Suppression of Non-Significant Zeros
- Lamp Intensity Function
- Capable of Driving Two Low-power TTL Loads. One Low-power Schottky TTL Load or Two HTL Loads Over the Rated Temperature Range



L SUFFIX
CERAMIC
CASE 620



P SUFFIX
PLASTIC
CASE 648



D SUFFIX
SOIC
CASE 751B

ORDERING INFORMATION

MC14XXXBCP	Plastic
MC14XXXBCL	Ceramic
MC14XXXBD	SOIC

$T_A = -55^\circ$ to 125°C for all packages.

MAXIMUM RATINGS* (Voltages referenced to V_{SS})

Rating	Symbol	Value	Unit
DC Supply Voltage	V_{DD}	- 0.5 to + 18	V
Input Voltage, All Inputs	V_{in}	- 0.5 to $V_{DD} + 0.5$	V
DC Input Voltage, per Pin	I_{in}	± 10	mAdc
Operating Temperature Range	T_A	- 55 to + 125	$^\circ\text{C}$
Power Dissipation, per Package†	P_D	500	mW
Storage Temperature Range	T_{stg}	- 65 to + 150	$^\circ\text{C}$

* Maximum Ratings are those values beyond which damage to the device may occur.

† Temperature Derating:

Plastic "P and D/DW" Packages: - 7.0 mW/ $^\circ\text{C}$ From 65°C To 125°C
Ceramic "L" Packages: - 12 mW/ $^\circ\text{C}$ From 100°C To 125°C

AUXILIARY INPUT TRUTH TABLE

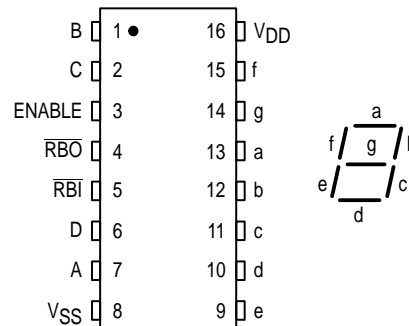
Enable Pin 3	$\overline{\text{RBI}}$ Pin 5	BCD Input Code	$\overline{\text{RBO}}$ Pin 4	Function Performed
0	0	X	0	Lamp Test
0	1	X	1	Blank Segments
1	1	0	1	Display Zero
1	0	0	0	Blank Segments
1	X	1-9	1	1-9 Displayed

X = Don't Care

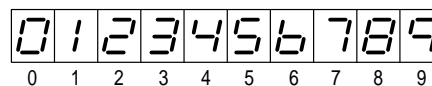
$\overline{\text{RBI}}$ = Ripple Blanking Input

$\overline{\text{RBO}}$ = Ripple Blanking Output

PIN ASSIGNMENT



DISPLAY



ELECTRICAL CHARACTERISTICS (Voltages Referenced to V_{SS})

Characteristic	Symbol	V _{DD} Vdc	- 55°C		25°C			125°C		Unit	
			Min	Max	Min	Typ #	Max	Min	Max		
Output Voltage V _{in} = V _{DD} or 0 V _{in} = 0 or V _{DD}	“0” Level V _{OL}	5.0	—	0.05	—	0	0.05	—	0.05	Vdc	
		10	—	0.05	—	0	0.05	—	0.05		
		15	—	0.05	—	0	0.05	—	0.05		
	“1” Level V _{OH}	5.0	4.95	—	4.95	5.0	—	4.95	—		Vdc
		10	9.95	—	9.95	10	—	9.95	—		
		15	14.95	—	14.95	15	—	14.95	—		
Input Voltage “0” Level (V _O = 4.5 or 0.5 Vdc) (V _O = 9.0 or 1.0 Vdc) (V _O = 13.5 or 1.5 Vdc) “1” Level (V _O = 0.5 or 4.5 Vdc) (V _O = 1.0 or 9.0 Vdc) (V _O = 1.5 or 13.5 Vdc)	V _{IL}	5.0	—	1.5	—	2.25	1.5	—	1.5	Vdc	
		10	—	3.0	—	4.50	3.0	—	3.0		
		15	—	4.0	—	6.75	4.0	—	4.0		
	V _{IH}	5.0	3.5	—	3.5	2.75	—	3.5	—		Vdc
		10	7.0	—	7.0	5.50	—	7.0	—		
		15	11	—	11	8.25	—	11	—		
Output Drive Current Source (V _{OH} = 2.5 Vdc) (V _{OH} = 4.6 Vdc) (V _{OH} = 9.5 Vdc) (V _{OH} = 13.5 Vdc) Sink (V _{OL} = 0.4 Vdc) (V _{OL} = 0.5 Vdc) (V _{OL} = 1.5 Vdc)	I _{OH}	5.0	- 3.0	—	- 2.4	- 4.2	—	- 1.7	—	mAdc	
		5.0	- 0.64	—	- 0.51	- 0.88	—	- 0.36	—		
		10	- 1.6	—	- 1.3	- 2.25	—	- 0.9	—		
	I _{OL}	5.0	0.64	—	0.51	0.88	—	0.36	—		mAdc
		10	1.6	—	1.3	2.25	—	0.9	—		
		15	4.2	—	3.4	8.8	—	2.4	—		
Input Current	I _{in}	15	—	±0.1	—	±0.00001	±0.1	—	±1.0	μAdc	
Input Capacitance	C _{in}	—	—	—	—	5.0	7.5	—	—	pF	
Quiescent Current (Per Package) V _{in} = 0 or V _{DD} I _{out} = 0 μA	I _{DD}	5.0	—	5.0	—	0.005	5.0	—	150	μAdc	
		10	—	10	—	0.010	10	—	300		
		15	—	20	—	0.015	20	—	600		
Total Supply Current**† (Dynamic plus Quiescent, Per Package) (C _L = 50 pF on all outputs, all buffers switching)	I _T	5.0	I _T = (1.2 μA/kHz) f + I _{DD}							μAdc	
		10	I _T = (2.4 μA/kHz) f + I _{DD}								
		15	I _T = (3.6 μA/kHz) f + I _{DD}								

#Noise immunity specified for worst-case input combination.

Noise Margin for both “1” and “0” level = 1.0 V min @ V_{DD} = 5.0 V
 2.0 V min @ V_{DD} = 10 V
 2.5 V min @ V_{DD} = 15 V

†To calculate total supply current at loads other than 50 pF:

$$I_T(C_L) = I_T(50 \text{ pF}) + 3.5 \times 10^{-3} (C_L - 50) V_{DD} f$$

where: I_T is in μA (per package), C_L in pF, V_{DD} in V, and f in kHz.

**The formulas given are for the typical characteristics only at 25°C.

This device contains circuitry to protect the inputs against damage due to high static voltages or electric fields; however, it is advised that normal precautions be taken to avoid applications of any voltage higher than maximum rated voltages to this high-impedance circuit. For proper operation it is recommended that V_{in} and V_{out} be constrained to the range V_{SS} ≤ (V_{in} or V_{out}) ≤ V_{DD}. Unused inputs must always be tied to an appropriate logic voltage level (e.g., either V_{SS} or V_{DD}).

SWITCHING CHARACTERISTICS* ($C_L = 50 \text{ pF}$, $T_A = 25^\circ\text{C}$; see Figure 1)

Characteristic	Symbol	V _{DD}	Min	Typ	Max	Unit
Output Rise Time $t_{TLH} = (3.0 \text{ ns/pF}) C_L + 30 \text{ ns}$ $t_{TLH} = (1.5 \text{ ns/pF}) C_L + 15 \text{ ns}$ $t_{TLH} = (1.1 \text{ ns/pF}) C_L + 10 \text{ ns}$	t_{TLH}	5.0 10 15	— — —	100 50 40	200 100 80	ns
Output Fall Time $t_{THL} = (1.5 \text{ ns/pF}) C_L + 25 \text{ ns}$ $t_{THL} = (0.75 \text{ ns/pF}) C_L + 12.5 \text{ ns}$ $t_{THL} = (0.55 \text{ ns/pF}) C_L + 9.5 \text{ ns}$	t_{THL}	5.0 10 15	— — —	100 50 40	200 100 80	ns
Propagation Delay Time $t_{PLH} = (1.7 \text{ ns/pF}) C_L + 495 \text{ ns}$ $t_{PLH} = (0.66 \text{ ns/pF}) C_L + 187 \text{ ns}$ $t_{PLH} = (0.5 \text{ ns/pF}) C_L + 120 \text{ ns}$	t_{PLH}	5.0 10 15	— — —	580 220 145	1160 440 230	ns
Propagation Delay Time $t_{PHL} = (1.7 \text{ ns/pF}) C_L + 695 \text{ ns}$ $t_{PHL} = (0.66 \text{ ns/pF}) C_L + 242 \text{ ns}$ $t_{PHL} = (0.5 \text{ ns/pF}) C_L + 160 \text{ ns}$	t_{PHL}	5.0 10 15	— — —	780 275 185	1560 550 370	ns

* The formulae given are for the typical characteristics only.

TRUTH TABLE

Inputs						Outputs*								
Enable Pin 3	$\overline{\text{RBI}}$ Pin 5	D Pin 6	C Pin 2	B Pin 1	A Pin 7	a Pin 13	b Pin 12	c Pin 11	d Pin 10	e Pin 9	f Pin 15	g Pin 14	$\overline{\text{RBO}}$ Pin 4	Display
1	1	0	0	0	0	1	1	1	1	1	1	0	1	0
1	X	0	0	0	1	0	0	0	0	1	1	0	1	1
1	X	0	0	1	0	1	1	0	1	1	0	1	1	2
1	X	0	0	1	1	1	1	1	1	0	0	1	1	3
1	X	0	1	0	0	0	1	1	0	0	1	1	1	4
1	X	0	1	0	1	1	0	1	1	0	1	1	1	5
1	X	0	1	1	0	0	0	1	1	1	1	1	1	6
1	X	0	1	1	1	1	1	1	0	0	0	0	1	7
1	X	1	0	0	0	1	1	1	1	1	1	1	1	8
1	X	1	0	0	1	1	1	1	0	0	1	1	1	9
1	0	0	0	0	0	0	0	0	0	0	0	0	0	Blank
0	0	X	X	X	X	1	1	1	1	1	1	1	0	8
0	1	X	X	X	X	0	0	0	0	0	0	0	1	Blank

* All non-valid BCD input codes produce a blank display.
 X = Don't Care

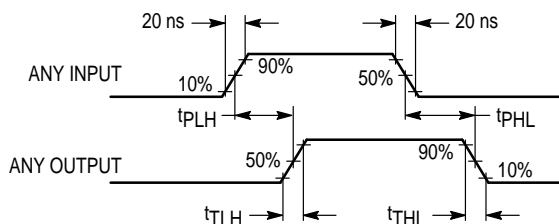
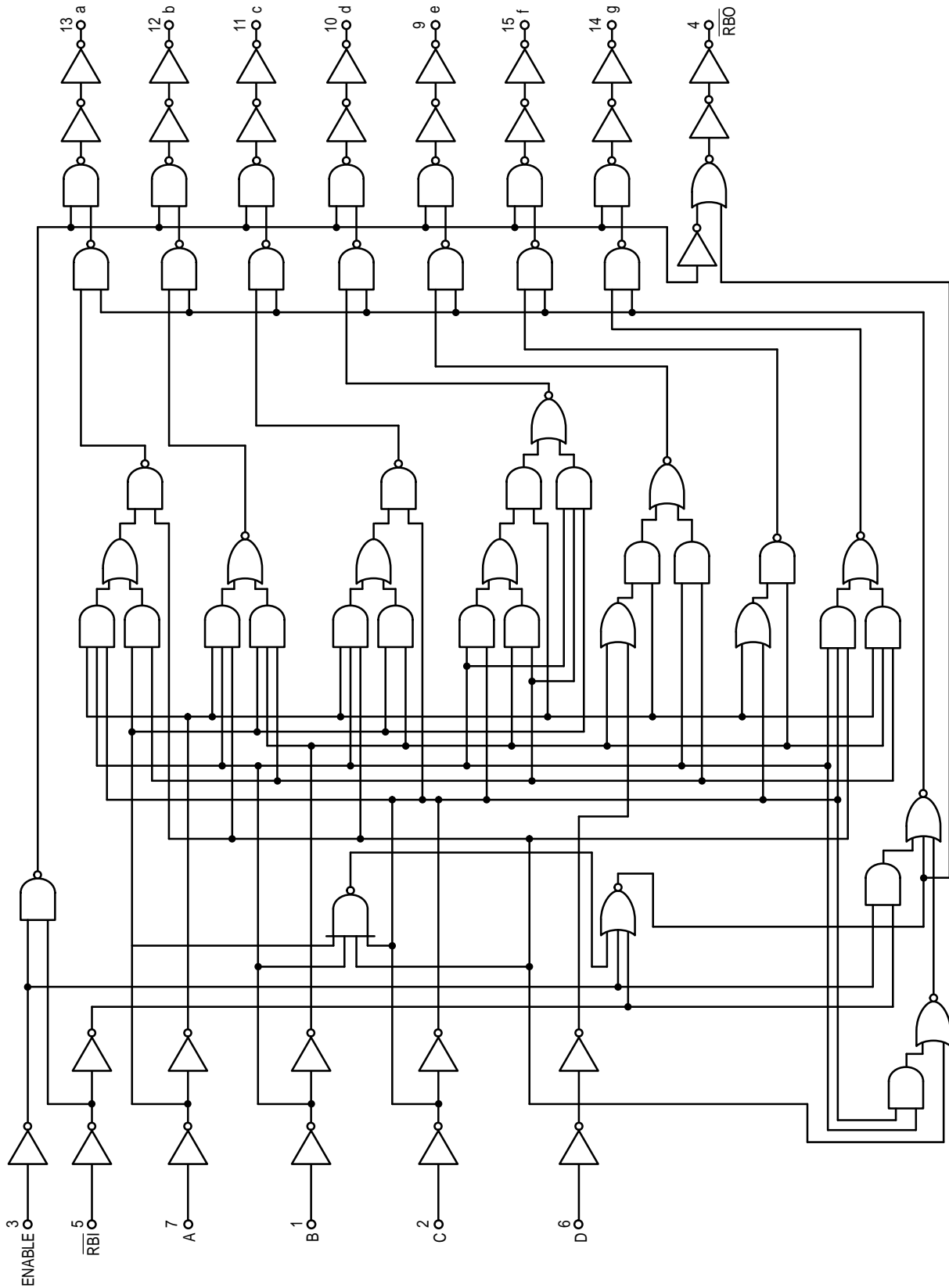


Figure 1. Signal Waveforms

LOGIC DIAGRAM



TYPICAL APPLICATIONS

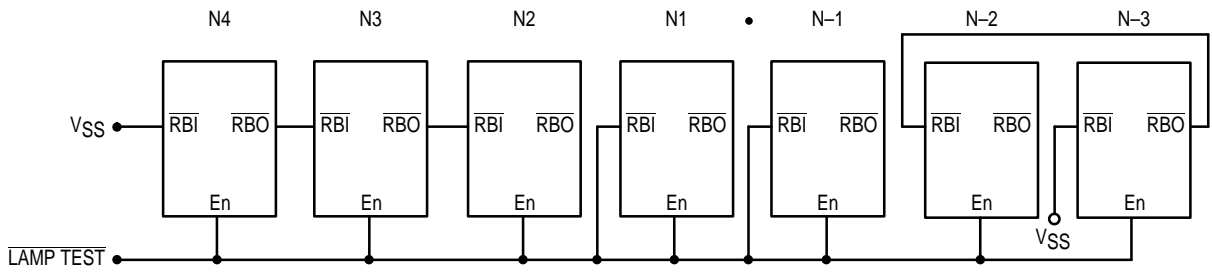


Figure 2. Leading and Trailing Zero Suppression with Lamp Test

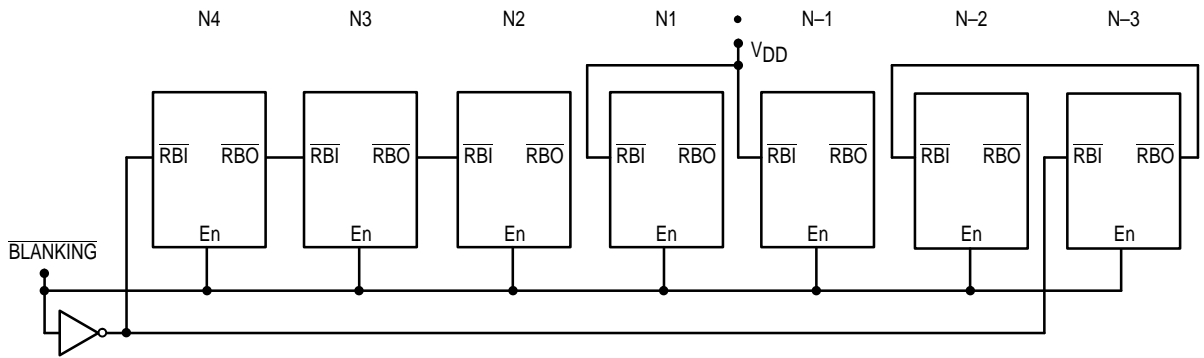


Figure 3. Leading and Trailing Zero Suppression with PWM Intensity Blanking and No Lamp Test

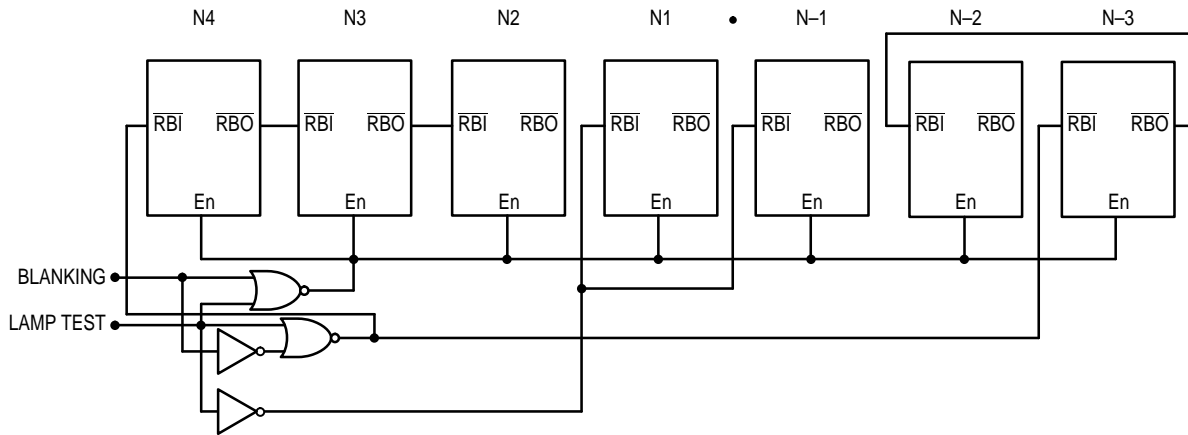
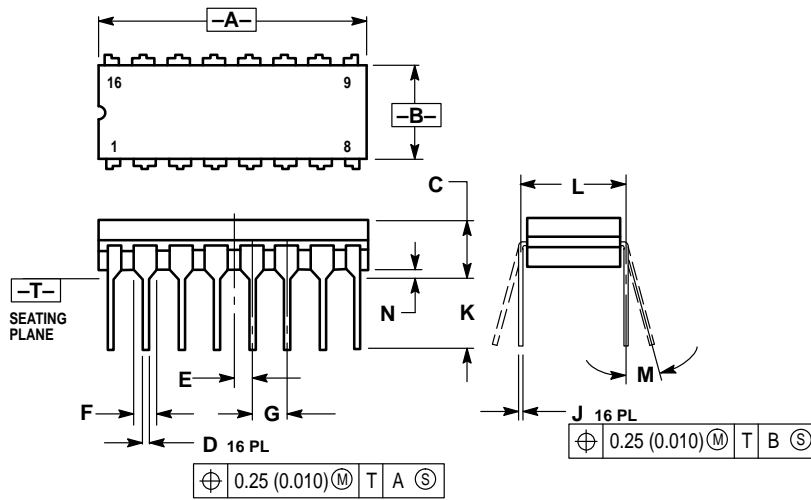


Figure 4. Zero Suppression with Lamp Test and Intensity Blanking

OUTLINE DIMENSIONS

L SUFFIX CERAMIC DIP PACKAGE CASE 620-10 ISSUE V

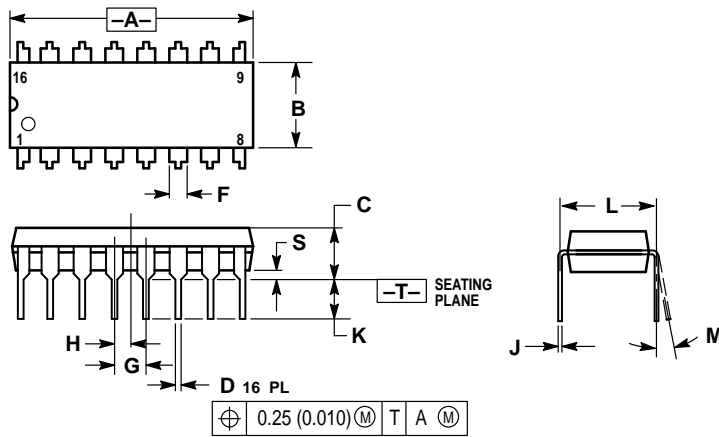


NOTES:

1. DIMENSIONING AND TOLERANCING PER ANSI Y14.5M, 1982.
2. CONTROLLING DIMENSION: INCH.
3. DIMENSION L TO CENTER OF LEAD WHEN FORMED PARALLEL.
4. DIMENSION F MAY NARROW TO 0.76 (0.030) WHERE THE LEAD ENTERS THE CERAMIC BODY.

DIM	INCHES		MILLIMETERS	
	MIN	MAX	MIN	MAX
A	0.750	0.785	19.05	19.93
B	0.240	0.295	6.10	7.49
C	—	0.200	—	5.08
D	0.015	0.020	0.39	0.50
E	0.050 BSC		1.27 BSC	
F	0.055	0.065	1.40	1.65
G	0.100 BSC		2.54 BSC	
H	0.008	0.015	0.21	0.38
K	0.125	0.170	3.18	4.31
L	0.300 BSC		7.62 BSC	
M	0°	15°	0°	15°
N	0.020	0.040	0.51	1.01

P SUFFIX PLASTIC DIP PACKAGE CASE 648-08 ISSUE R



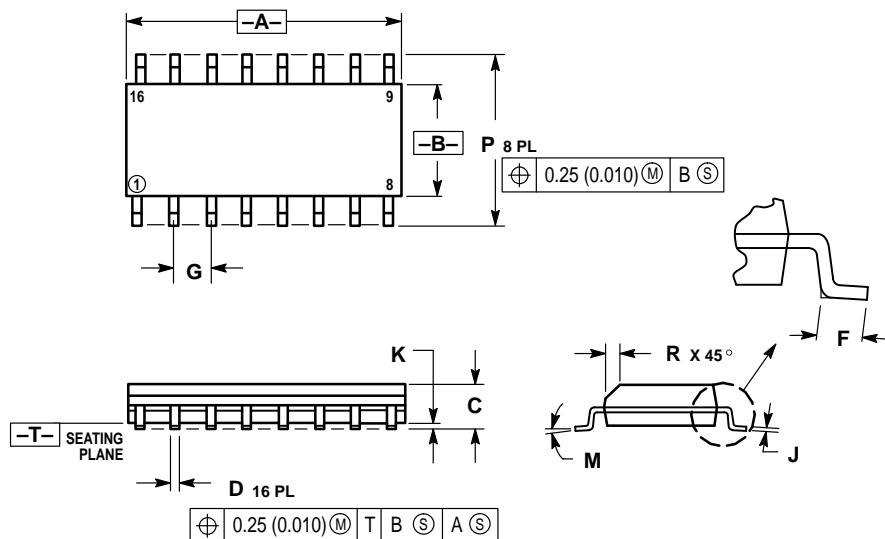
NOTES:

1. DIMENSIONING AND TOLERANCING PER ANSI Y14.5M, 1982.
2. CONTROLLING DIMENSION: INCH.
3. DIMENSION L TO CENTER OF LEADS WHEN FORMED PARALLEL.
4. DIMENSION B DOES NOT INCLUDE MOLD FLASH.
5. ROUNDED CORNERS OPTIONAL.

DIM	INCHES		MILLIMETERS	
	MIN	MAX	MIN	MAX
A	0.740	0.770	18.80	19.55
B	0.250	0.270	6.35	6.85
C	0.145	0.175	3.69	4.44
D	0.015	0.021	0.39	0.53
F	0.040	0.70	1.02	1.77
G	0.100 BSC		2.54 BSC	
H	0.050 BSC		1.27 BSC	
J	0.008	0.015	0.21	0.38
K	0.110	0.130	2.80	3.30
L	0.295	0.305	7.50	7.74
M	0°	10°	0°	10°
S	0.020	0.040	0.51	1.01

OUTLINE DIMENSIONS

D SUFFIX PLASTIC SOIC PACKAGE CASE 751B-05 ISSUE J



NOTES:

1. DIMENSIONING AND TOLERANCING PER ANSI Y14.5M, 1982.
2. CONTROLLING DIMENSION: MILLIMETER.
3. DIMENSIONS A AND B DO NOT INCLUDE MOLD PROTRUSION.
4. MAXIMUM MOLD PROTRUSION 0.15 (0.006) PER SIDE.
5. DIMENSION D DOES NOT INCLUDE DAMBAR PROTRUSION. ALLOWABLE DAMBAR PROTRUSION SHALL BE 0.127 (0.005) TOTAL IN EXCESS OF THE D DIMENSION AT MAXIMUM MATERIAL CONDITION.

DIM	MILLIMETERS		INCHES	
	MIN	MAX	MIN	MAX
A	9.80	10.00	0.386	0.393
B	3.80	4.00	0.150	0.157
C	1.35	1.75	0.054	0.068
D	0.35	0.49	0.014	0.019
F	0.40	1.25	0.016	0.049
G	1.27 BSC		0.050 BSC	
J	0.19	0.25	0.008	0.009
K	0.10	0.25	0.004	0.009
M	0°	7°	0°	7°
P	5.80	6.20	0.229	0.244
R	0.25	0.50	0.010	0.019

Motorola reserves the right to make changes without further notice to any products herein. Motorola makes no warranty, representation or guarantee regarding the suitability of its products for any particular purpose, nor does Motorola assume any liability arising out of the application or use of any product or circuit, and specifically disclaims any and all liability, including without limitation consequential or incidental damages. "Typical" parameters which may be provided in Motorola data sheets and/or specifications can and do vary in different applications and actual performance may vary over time. All operating parameters, including "Typicals" must be validated for each customer application by customer's technical experts. Motorola does not convey any license under its patent rights nor the rights of others. Motorola products are not designed, intended, or authorized for use as components in systems intended for surgical implant into the body, or other applications intended to support or sustain life, or for any other application in which the failure of the Motorola product could create a situation where personal injury or death may occur. Should Buyer purchase or use Motorola products for any such unintended or unauthorized application, Buyer shall indemnify and hold Motorola and its officers, employees, subsidiaries, affiliates, and distributors harmless against all claims, costs, damages, and expenses, and reasonable attorney fees arising out of, directly or indirectly, any claim of personal injury or death associated with such unintended or unauthorized use, even if such claim alleges that Motorola was negligent regarding the design or manufacture of the part. Motorola and are registered trademarks of Motorola, Inc. Motorola, Inc. is an Equal Opportunity/Affirmative Action Employer.

How to reach us:

USA/EUROPE/Locations Not Listed: Motorola Literature Distribution;
P.O. Box 20912; Phoenix, Arizona 85036. 1-800-441-2447 or 602-303-5454

JAPAN: Nippon Motorola Ltd.; Tatsumi-SPD-JLDC, 6F Seibu-Butsuryu-Center,
3-14-2 Tatsumi Koto-Ku, Tokyo 135, Japan. 03-81-3521-8315

MFAX: RMFAX0@email.sps.mot.com - TOUCHTONE 602-244-6609
INTERNET: http://Design-NET.com

ASIA/PACIFIC: Motorola Semiconductors H.K. Ltd.; 8B Tai Ping Industrial Park,
51 Ting Kok Road, Tai Po, N.T., Hong Kong. 852-26629298



MC14558B/D



This datasheet has been download from:

www.datasheetcatalog.com

Datasheets for electronics components.